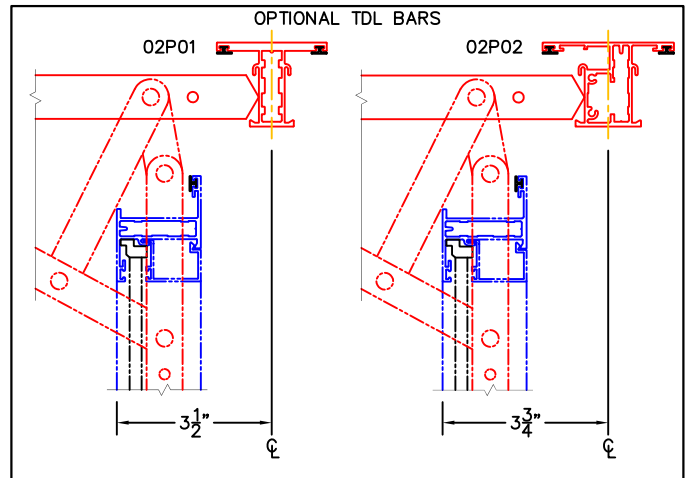
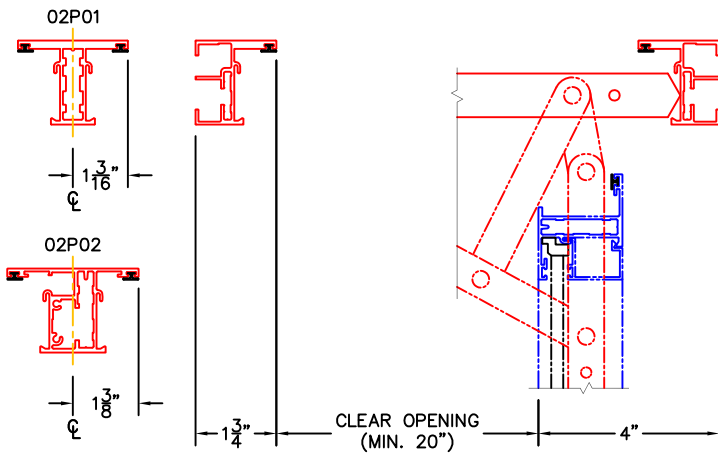
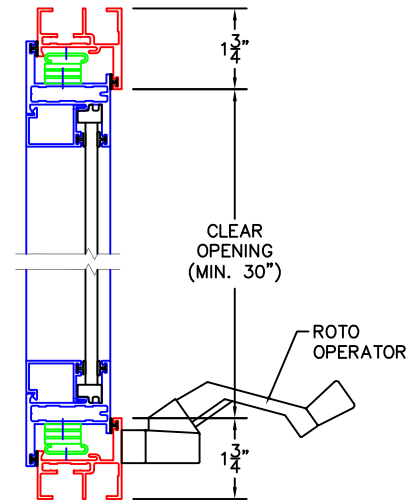
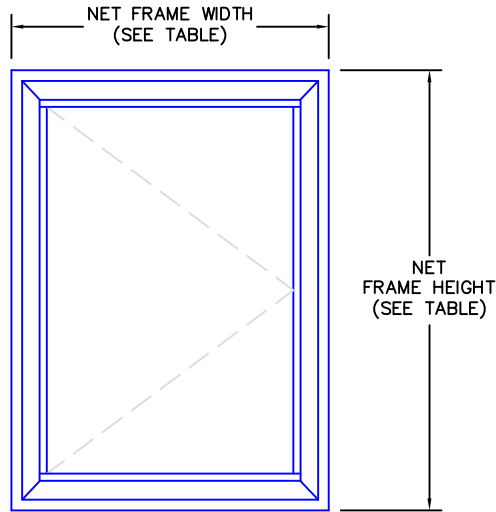


## CASEMENT WINDOW(EGRESS DETAILS)

HARDWARE: -4-BAR EGRESS HINGES  
-CAM HANDLES



### EGRESS REQUIREMENTS:

1. MINIMUM NET CLEAR OPENING WIDTH SHALL BE 20"
2. MINIMUM NET CLEAR OPENING HEIGHT SHALL BE 24"
3. MINIMUM NET CLEAR OPENING MUST BE GREATER THAN 5.7 SQ.FT.

### SERIES 2000 - SINGLE CASEMENT EGRESS DIMENSIONS

| NET FRAME WIDTH | NET FRAME HEIGHT | CLEARANCE WIDTH | CLEARANCE HEIGHT | CLEAR OPENING SQ.FT. |
|-----------------|------------------|-----------------|------------------|----------------------|
| 25.75 (MIN.)    | 44.75            | 20.00 (MIN.)    | 41.25            | 5.73                 |
| 33.50           | 33.50 (MIN.)     | 27.75           | 30.00 (MIN.)     | 5.78                 |

NET FRAME HEIGHT OF CASEMENT WINDOWS SHALL NOT BE LESS THAN THE NET FRAME WIDTH. USING THIS RULE, WINDOWS WITH A NET FRAME WIDTH GREATER THAN 33.50", WILL MEET EGRESS. (MINIMUM CLEAR HEIGHT 30")