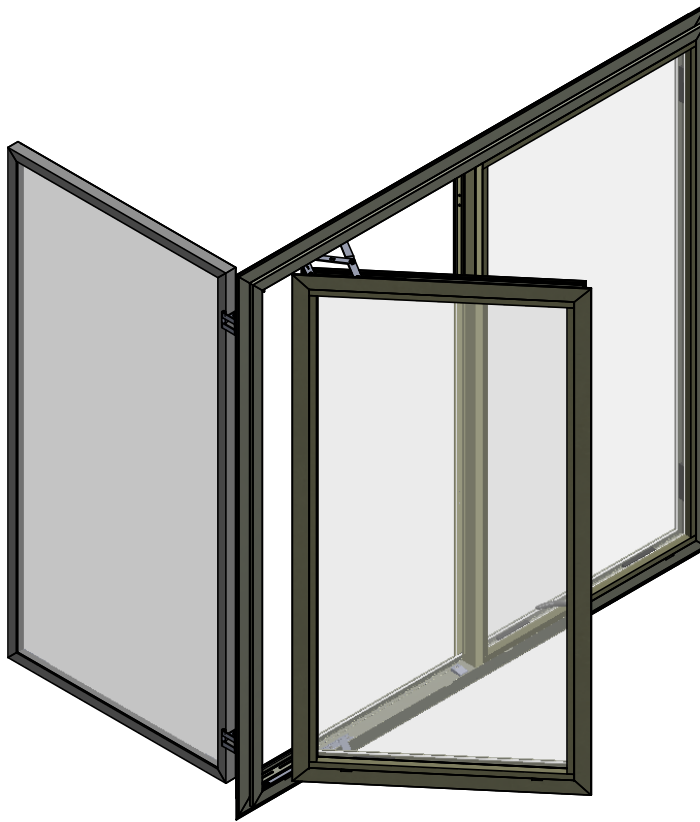


ASSEMBLY / PARTS LIST (B.O.M.)

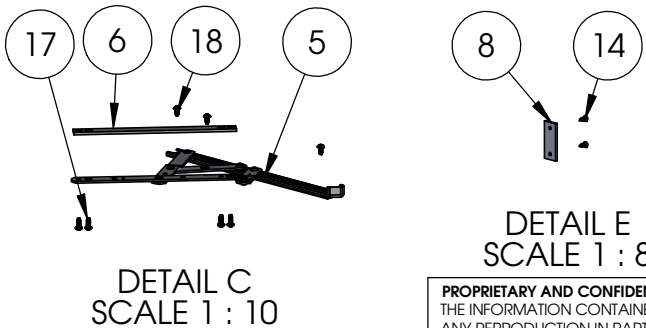
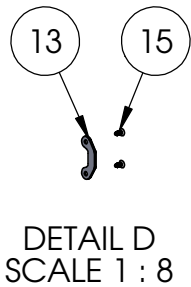
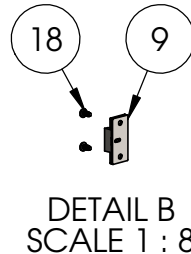
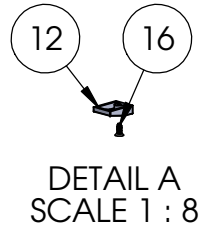
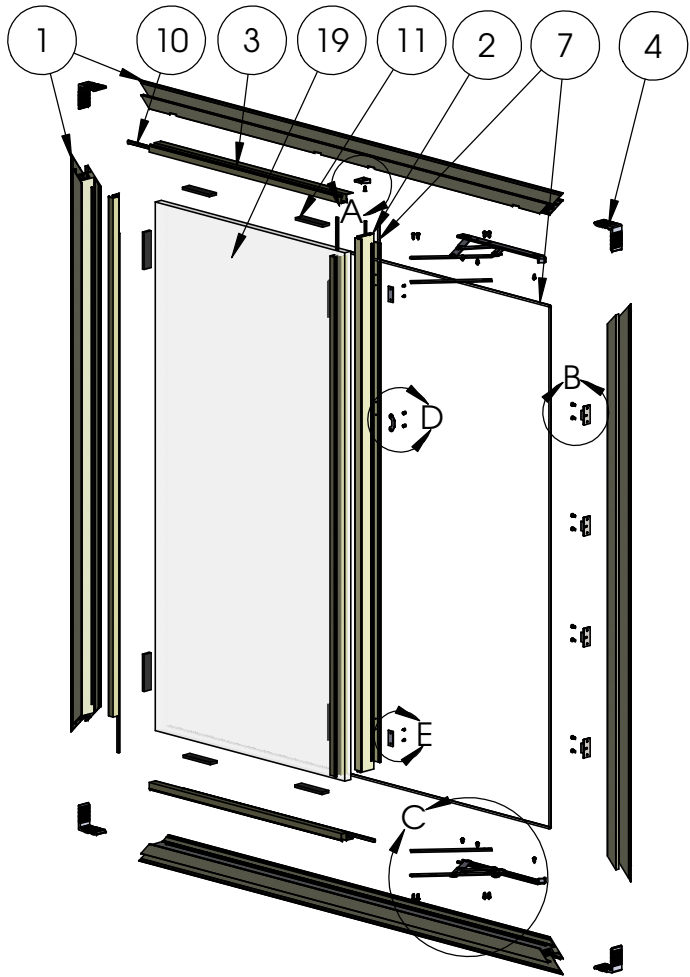
Series: 250-T
Type: Casement (CO) with 4 Bar Hinges & Cam Handle

ITEM NO.	DESCRIPTION	QTY.
1	FRAME ASSEMBLY	1
2	PANEL ASSEMBLY	1
3	HINGE SCREEN ASSEMBLY	1



Description Table of Contents	
File Name Series 250-T CO Casement with 4 Bar Hinges and Cam Handle	REV
Released 11/28/2016	SHEET 1 OF 4

ASSEMBLY / PARTS LIST (B.O.M.)



EXTRUSIONS			
ITEM NO.	PART NUMBER	DESCRIPTION	QTY.
1	05P88, 05P19	Perimeter - OG (Nail-on Block)	4
2	05P01	250-T Tee Bar (Muntin)	1
3	05P09, 02P12, 05P10, 05P06, 05P05	Glass Stop (1"), (1-1/4"), (1-1/2"), (5/8" and 1/2"), (1/4" or 1")	4
HARDWARE			
4	20596	Corner Key, Vent	4
5	24932, 22865, 24654, 24655, 18811, 22868	4 Bar Hinge (8", 10", 12", 16", 22")	2
6	23368, 23369, 23370, 23371	4 Bar Shim (7 3/4", 8 3/4", 10 3/4", 13 1/2" length)	2
7	25199	Mini Bulb Vinyl	3
8	25405	Hinge Screen Magnet	2
9	See Table A	Snubber, Frame Portion (HVHZ only)	4
10	25031	Bulb Vinyl-Large	4
11	18620	Setting Block 4" x 1/4"x1"	8
12	18770	Large Pivot Shim	1
13	24983	Cam Strike Plate	1
14	20901	#6 X 3/8" UC FHSM	4
15	20937, 20268	#8 FHP - B - UC, 3/8", SS, (Clear, Black)	2
16	20272	#10 FHP - A - UC, 1/2" SS, Clear	1
17	20338	#10 PHP - B, 1/2", SS, Clear	8
18	20337	#10 PHP - B, 3/8", SS, Clear	14
19	-	Glass	1

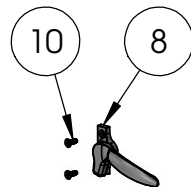
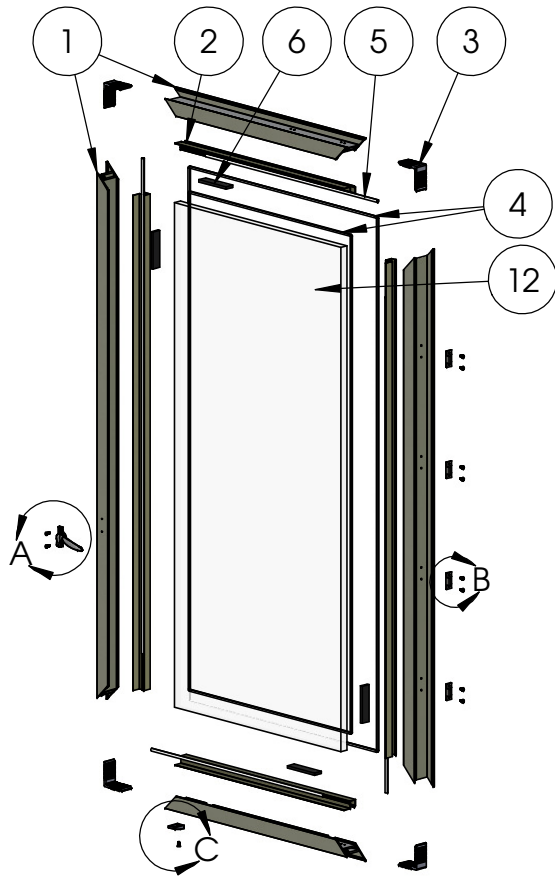
Table A: Snubber Option (HVHZ only)

Frame Width	25245 Snubber	20337 Screw
>24"	1	4
>36"	2	8
>48"	3	12
>60"	4	16
>72"	5	20
>84"	6	24
>96"	7	28

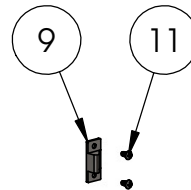
Description Frame Assembly	
File Name Series 250-T CO Casement with 4 Bar Hinges and Cam Handle	REV
Released 11/28/2016	SHEET 2 OF 4

PROPRIETARY AND CONFIDENTIAL
THE INFORMATION CONTAINED IN THIS DRAWING IS THE SOLE PROPERTY OF FLEETWOOD WINDOWS & DOORS.
ANY REPRODUCTION IN PART OR AS A WHOLE WITHOUT THE WRITTEN PERMISSION OF FLEETWOOD WINDOWS & DOORS IS PROHIBITED.

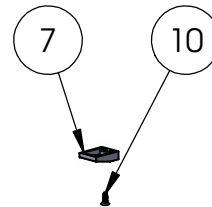
ASSEMBLY / PARTS LIST (B.O.M.)



DETAIL A
SCALE 1 : 8



DETAIL B
SCALE 1 : 8

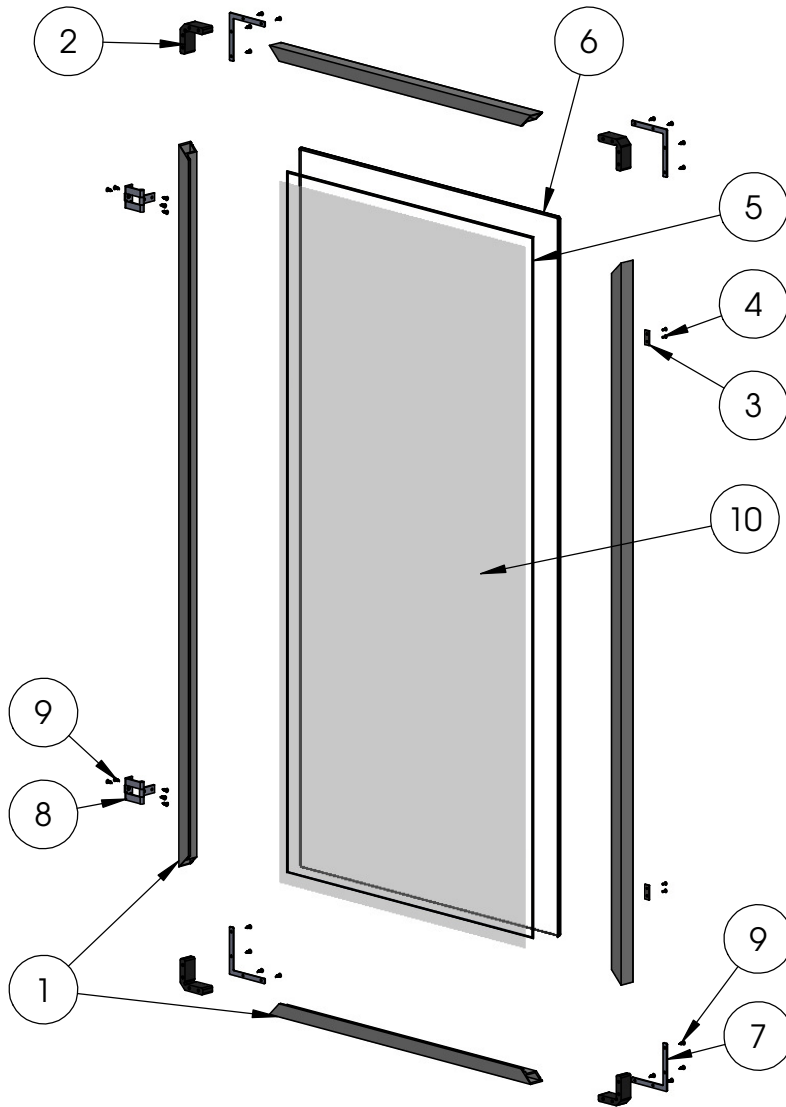


DETAIL C
SCALE 1 : 8

EXTENSIONS			
ITEM NO.	PART NUMBER	DESCRIPTION	QTY.
1	05P11	Zee Bar	4
2	05P09, 02P12, 05P10, 05P06, 05P05	Glass Stop (1"), (1-1/4"), (1-1/2"), (5/8" and 1/2"), (1/4" or 1")	4
HARDWARE			
3	20596	Corner Key, Vent	4
4	25199	Mini Bulb Vinyl	2
5	25031	Bulb Vinyl-Large	4
6	18620	Setting Block 4" x 1/4"x1"	4
7	18770	Large Pivot Shim	1
8	25735, 25740, 25739, 25736, 25737	Cam Handle (PO) (Gray, Black, Stainless Steel), (LH & RH)	1
9	See Table A	Snubber (HVHZ only)	4
10	20272	# 10 FHP - A - UC, 1/2" SS, Clear	3
11	20337	# 10 PHP - B, 3/8", SS, Clear	8
12	-	Glass	1

Description Panel Assembly	
File Name Series 250-T CO Casement with 4 Bar Hinges and Cam Handle	REV
Released 11/28/2016	SHEET 3 OF 4

ASSEMBLY / PARTS LIST (B.O.M.)



EXTRUSIONS			
ITEM NO.	PART NUMBER	DESCRIPTION	QTY.
1	958	Extruded Hinged Screen Frame (V2)	4
HARDWARE			
2	25258	Corner Key (Hinge Screen-V2)	4
3	25406	Hinge Screen Strike w / Screws	2
4	AD43ABS200	Rivet	4
5	19127	Screen Rubber Spline .150	1
6	25189	Q-Lon Foam Seal	1
7	25400	90° Corner Hinge Screen Brace	4
8	25216, 25756	Screen Hinge V 2, Black	2
9	20240, 20241	#8 FHP - A - UC, 1/2", SS, Clear, Black	26
10	-	Screen Mesh	1

PROPRIETARY AND CONFIDENTIAL
THE INFORMATION CONTAINED IN THIS DRAWING IS THE SOLE PROPERTY OF FLEETWOOD WINDOWS & DOORS.
ANY REPRODUCTION IN PART OR AS A WHOLE WITHOUT THE WRITTEN PERMISSION OF FLEETWOOD WINDOWS & DOORS IS PROHIBITED.

Description Hinge Screen Assembly	
File Name Series 250-T CO Casement with 4 Bar Hinges and Cam Handle	REV
Released 11/28/2016	SHEET 4 OF 4