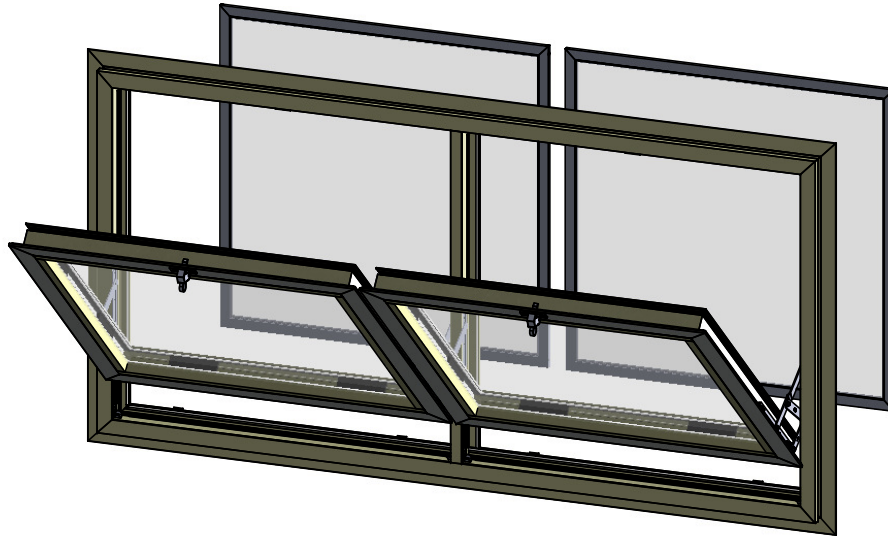


# ASSEMBLY / PARTS LIST (B.O.M.)

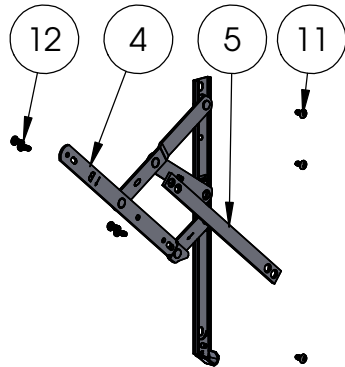
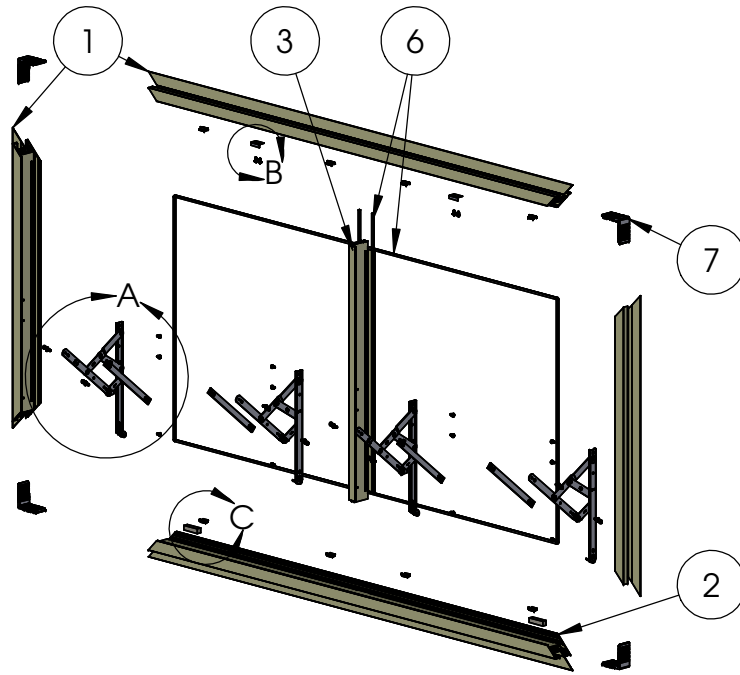
**Series: 250-T**  
**Type: Hopper (HH) with 4 Bar Hinges and Spring Latches**

ITEM NO.	DESCRIPTION	QTY.	PAGE #
1	FRAME ASSEMBLY	1	2
2	PANEL ASSEMBLY	2	3
3	FLAT SCREEN ASSEMBLY	2	4

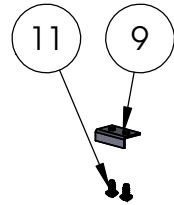


Description Table of Contents	
File Name Series 250-T HH Hopper Assembly with 4 Bar Hinges and Spring Latches	REV
Released 11/4/2016	SHEET 1 OF 4

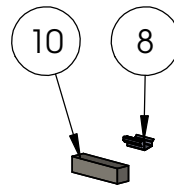
# ASSEMBLY / PARTS LIST (B.O.M.)



DETAIL A  
SCALE 1 : 8



DETAIL B  
SCALE 1 : 6

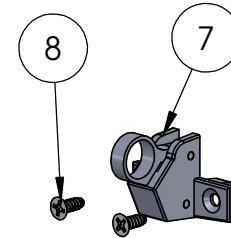
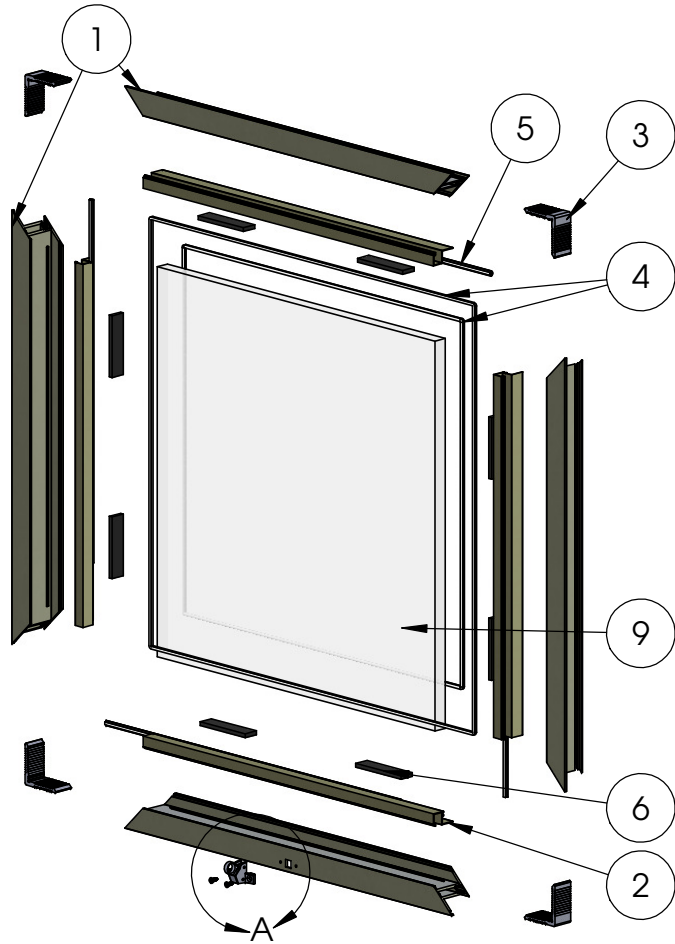


DETAIL C  
SCALE 1 : 6

EXTRUSIONS			
ITEM NO.	PART NUMBER	DESCRIPTION	QTY.
1	05P86	Perimeter (Head / Jamb) - IG	3
2	05P72	Sill (PI)	1
3	05P01	250-T Tee Bar (Muntin)	1
HARDWARE			
4	24932, 22865, 24654, 24655, 18811, 22868	4 Bar Hinge (8", 10", 12", 16", 22")	4
5	23368, 23369, 23370, 23371	4 Bar Shim (7 3/4", 8 3/4", 10 3/4", 13 1/2" length)	4
6	25199	Mini Bulb Vinyl	3
7	20596	Corner Key, Vent	4
8	25173, 25753	Screen Clip, SS, Clear, Black	8
9	25482	Strike for Spring Ring Latch	2
10	23022	1/2 X 1/2 X 2 Weep Baffle	2
11	20337	# 10 PHP - B, 3/8", SS, Clear	16
12	20338	# 10 PHP - B, 1/2", SS, Clear	16

Description Frame Assembly	
File Name Series 250-T HH Hopper Assembly with 4 Bar Hinges and Spring Latches	REV
Released 11/4/2016	SHEET 2 OF 4

# ASSEMBLY / PARTS LIST (B.O.M.)



DETAIL A  
SCALE 1 : 3

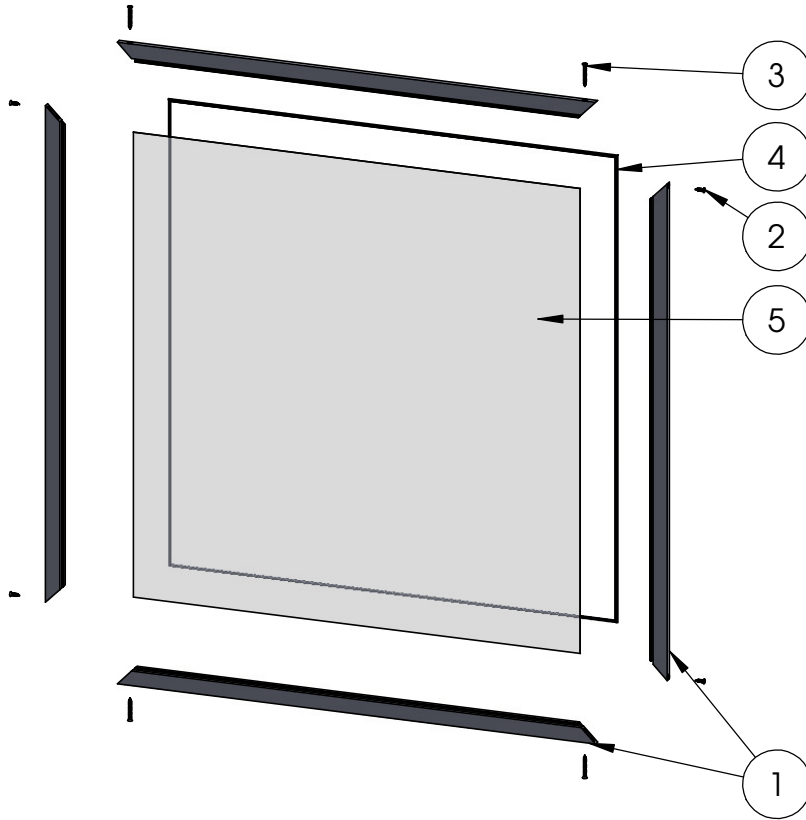
EXTRUSIONS			
ITEM NO.	PART NUMBER	DESCRIPTION	QTY.
1	05P11	Zee Bar	4
2	05P09, 05P12, 05P10, 05P06, 05P05	Glass Stop (1"), (1-1/4"), (1-1/2"), (5/8", 9/16" and 1/2"), (1/4")	4
HARDWARE			
3	20596	Corner Key, Vent	4
4	25199	Mini Bulb Vinyl	2
5	25031	Bulb Vinyl-Large	4
6	18620	Setting Block 4" x 1/4"x1"	8
7	18788	Spring Latch (Pull Ring)	1
8	20272	# 10 FHP - A - UC, 1/2" SS, Clear	2
9	-	Glass	1

**PROPRIETARY AND CONFIDENTIAL**  
THE INFORMATION CONTAINED IN THIS DRAWING IS THE SOLE PROPERTY OF FLEETWOOD WINDOWS & DOORS.  
ANY REPRODUCTION IN PART OR AS A WHOLE WITHOUT THE WRITTEN PERMISSION OF FLEETWOOD WINDOWS & DOORS IS PROHIBITED.

Description Panel Assembly	
File Name Series 250-T HH Hopper Assembly with 4 Bar Hinges and Spring Latches	REV
Released 11/4/2016	SHEET 3 OF 4

# ASSEMBLY / PARTS LIST (B.O.M.)

ITEM NO.	PART NUMBER	DESCRIPTION	QTY.
1	114	.3125 Screen Frame-HH	4
2	25752	#6 FHP-A, 1/2", SS, Clear	4
3	25751	#6 FHP-A, 1-1/4", SS, Clear	4
4	19127	SCREEN RUBBER SPLINE .150	1
5	-	Screen Mesh	1



Description Flat Screen Assembly	
File Name Series 250-T HH Hopper Assembly with 4 Bar Hinges and Spring Latches	REV
Released 11/4/2016	SHEET 4 OF 4

**PROPRIETARY AND CONFIDENTIAL**  
 THE INFORMATION CONTAINED IN THIS DRAWING IS THE SOLE PROPERTY OF FLEETWOOD WINDOWS & DOORS.  
 ANY REPRODUCTION IN PART OR AS A WHOLE WITHOUT THE WRITTEN PERMISSION OF FLEETWOOD WINDOWS & DOORS IS PROHIBITED.