

SERIES 250-T

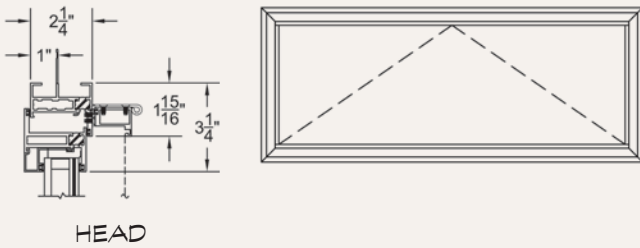
IMPACT RATED "THERMAL FRAME" CASEMENT & AWNING



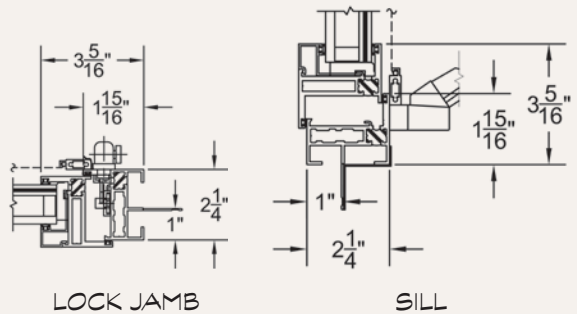
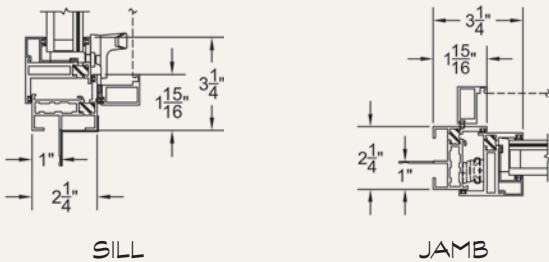
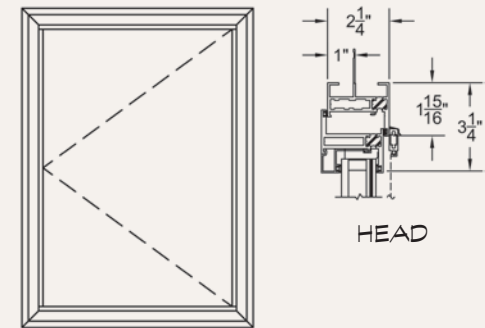
CONFIGURATIONS & MAX SIZES	
CASEMENT: 40.25" X 63.25" (4-Bar Hinges) 39.75" x 81.75" (S.S. Butt Hinges)	AWNING: 39.75" x 81.75" (4-Bar Hinges) 63.25" x 39.75" (4-Bar Hinges)

DESIGN PRESSURE
±65.0 PSF

ELEVATION VIEW: **A**



ELEVATION VIEW: **C**



*Awning details shown with hinged screen.

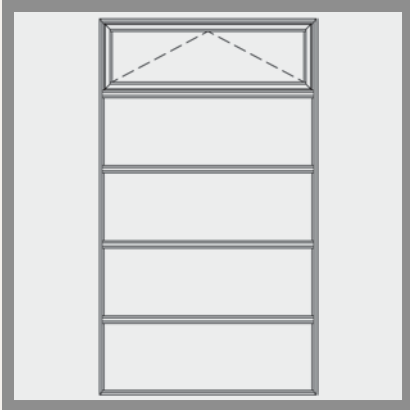
*Casement details shown with flat screen.





DESIGN NOTES

- Stainless steel butt hinges.
- Sleek sightlines with huge vent sizes.



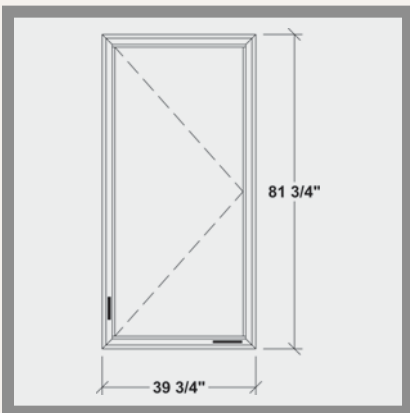
Window Insert Option:

Series 250-T casements and awnings can be inserted into the Series 3800-T system in lieu of glass. The elevation above provides an example configuration. Please see pages 11-12 for additional information and architectural details.



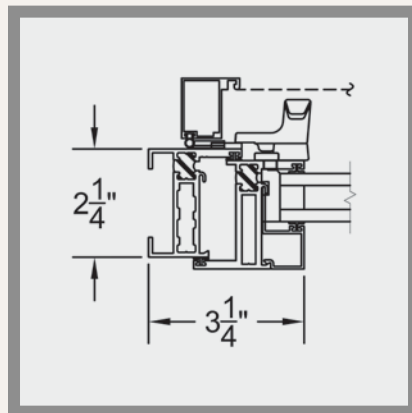
Stainless Steel Butt Hinges:

Each vent comes with four narrow footprint hinges. The hinges are #304 stainless steel and are finished with either black paint or a natural electropolish.



Huge Casement Vents:

The Series 250-T was designed to perfectly balance strength and beauty.



Hinged Screen:

This austere new option features a magnetic keeper & latch, and neoprene bulb as the bug guard. Hinges are mounted top and bottom for casements and left-top and right-top for awnings. This feature is only offered with the 4-bar hinge option, which is what the factory recommends for coastal and high wind projects.