

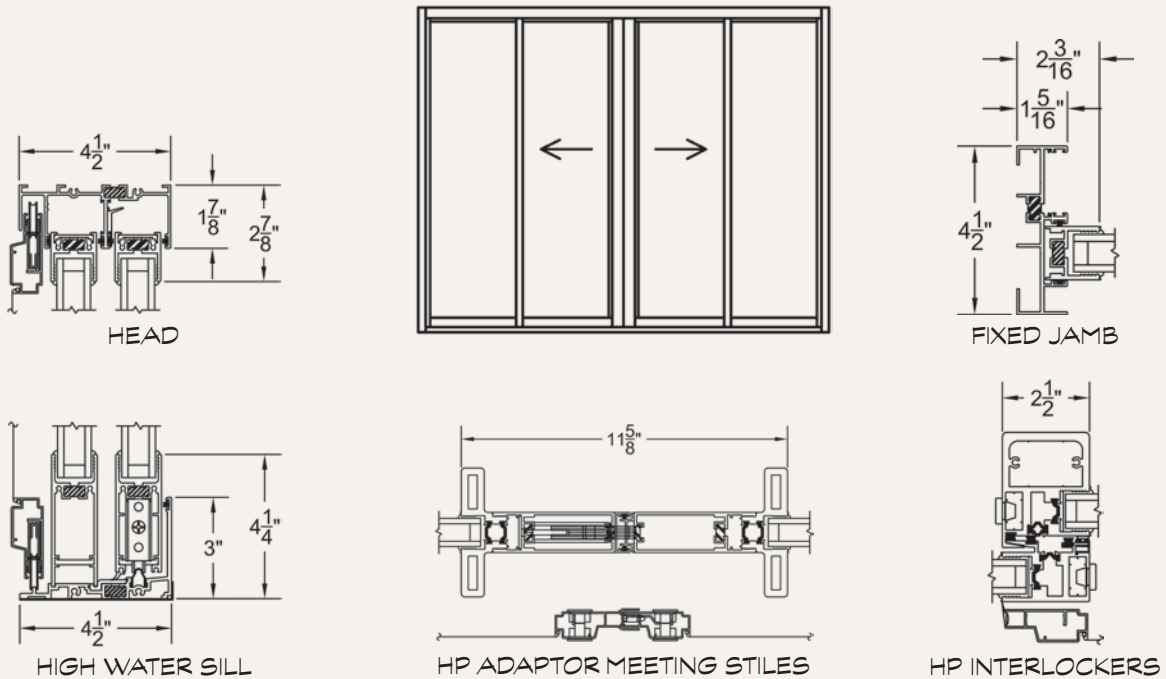
SERIES 3300-T

IMPACT RATED "THERMAL FRAME" SLIDING DOOR



 TYPICAL CONFIGURATIONS	 DESIGN PRESSURE	 MAX PANEL WIDTH	 MAX FRAME HEIGHT
<ul style="list-style-type: none"> • Two, three and four panels (i.e. XO,OXO, OXIXO). 	<p>±50.0 PSF*</p>	<p>62"</p>	<p>120"</p>

ELEVATION VIEW:
OXIXO CONFIGURATION



*Varies based on configuration/selected options.





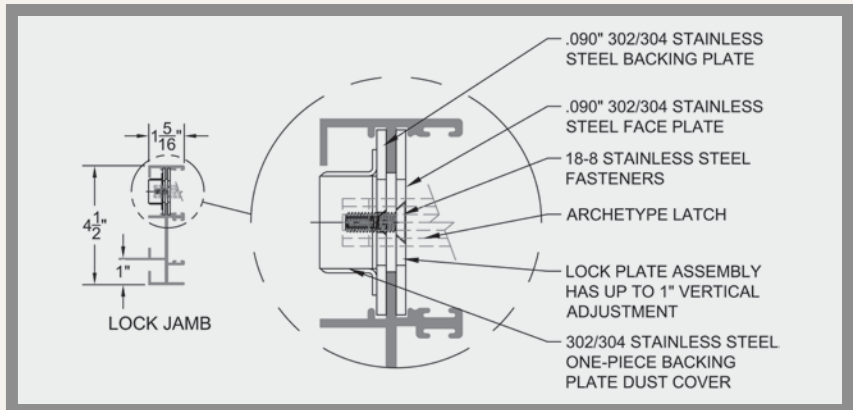
DESIGN NOTES

- Easiest rolling patio door on the market.
- Slim interlocker sightline.



Swiss Bearing Rollers:

Similar to the Archetype roller used in the Series 3070-HI, the roller used in the Series 3300-T is made in the USA and comes with authentic Swiss bearings.



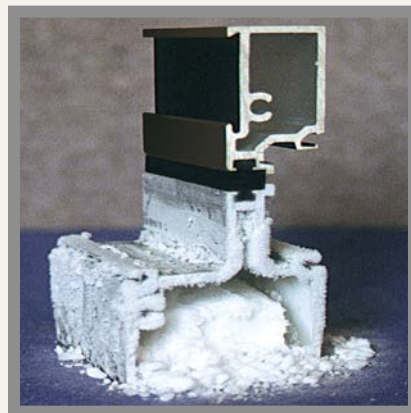
Stainless Steel components:

The Series 3300-T is ideal for coastal applications because its standard hardware is stainless steel. The locking system, strike plate and even the assembly screws are high grade stainless steel. (Strike plate illustrated above.)



Archetype Narrow:

The Series 3300-T offers two stile choices: the *Archetype* (see page 4) or the slimmer *Archetype Narrow* (above). The *Narrow* includes the same latch as the *Archetype* but with a vertical actuation and a smaller footprint.



"Thermal Frame" Extrusions:

The ultimate combination of structural integrity and energy efficiency. Each extrusion was engineered to provide the precise location of the polyurethane so performance was achieved and aesthetics were not compromised. When the Series 3300-T is closed, you cannot tell the extrusions are insulated. Cheaper products have made no attempt to hide the black lines.