

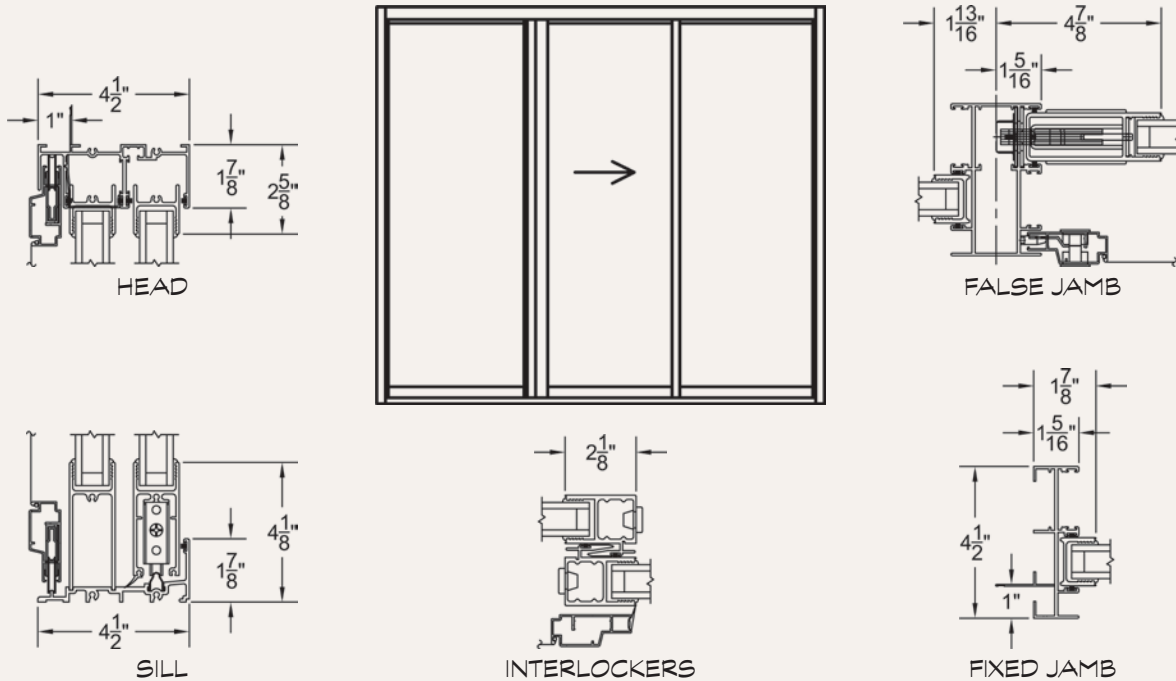
SERIES 3000 SLIDING DOOR



Photo by Nico Marques / Photokt

TYPICAL CONFIGURATIONS	← MAX PANEL WIDTH	↑ MAX PANEL HEIGHT	☀ EXAMPLE SHGC	❄ EXAMPLE U-FACTOR
<ul style="list-style-type: none"> OX, XO, OXO, OOX, XOO, XO, OXXO, XOOX. 	7'	14'	² NFRC: 0.22 ³ S.P.A.: 0.24	² NFRC: 0.47 ³ S.P.A.: 0.35

ELEVATION VIEW: OXOL CONFIGURATION



¹Max width and height are not necessarily available in combination.

²Specimen size: Nom. 79" x 79".

³Simulated Performance Alternative size: 180" x 130" OXO using SNX62-IS20/Argon Warm Edge glass.





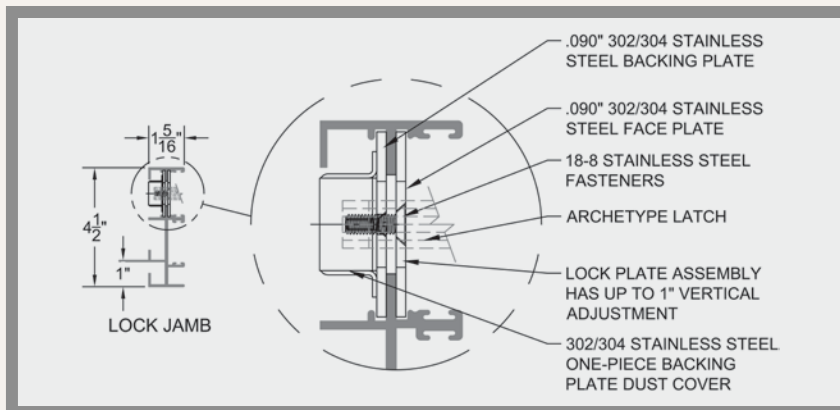
DESIGN NOTES

- Ergonomic flush latch.
- Industry's largest sizes in a traditional configuration.



Swiss Bearing Rollers:

Before assembling the roller in our US factory, our Swiss partner has shipped us authentic precision bearings for each wheel. Our technicians carefully assemble the finished product, which is capable of easily handling panel weights of 1,000 lbs. The Series 3000 sliding door uses the same exceptional stainless tandem roller as the Series 3000-T.



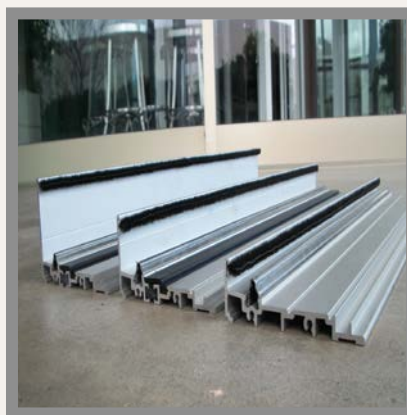
Stainless Strike Plate:

The Archetype strike plate consists of superior components (as illustrated), making it an ideal complement to the *Archetype* and *Archetype Narrow* latching systems.



Locking Hardware:

Both the Series 3000 and Series 3000-T (pages 15—16) offer two stile choices. The standard (*Archetype*) can be seen on page 4. However, an even slimmer option is our *Archetype Narrow* (pictured above).



Threshold Choices:

The Series 3000 comes standard with a 1-7/8" tall threshold (shown above, center). This sill height provides enough water protection for light commercial applications (6 psf). However, for projects demanding greater water performance, we offer a 3" tall threshold (10 psf). If exceptional water performance is not required, consider the 1-1/4" height sill.