

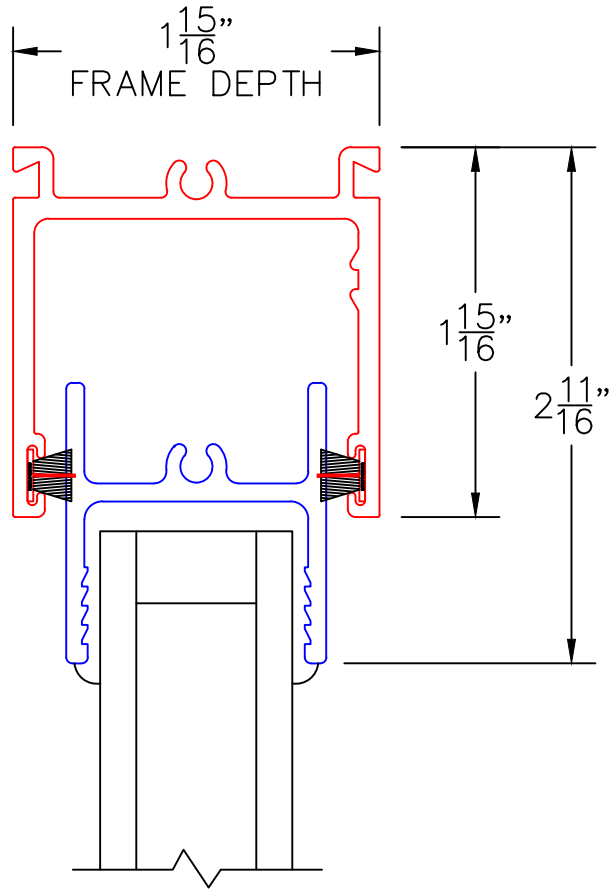
(USE RULER TO SCALE DIMENSIONS IN INCHES)

SCALE: FULL

PX DOOR
HIDDEN TRACK

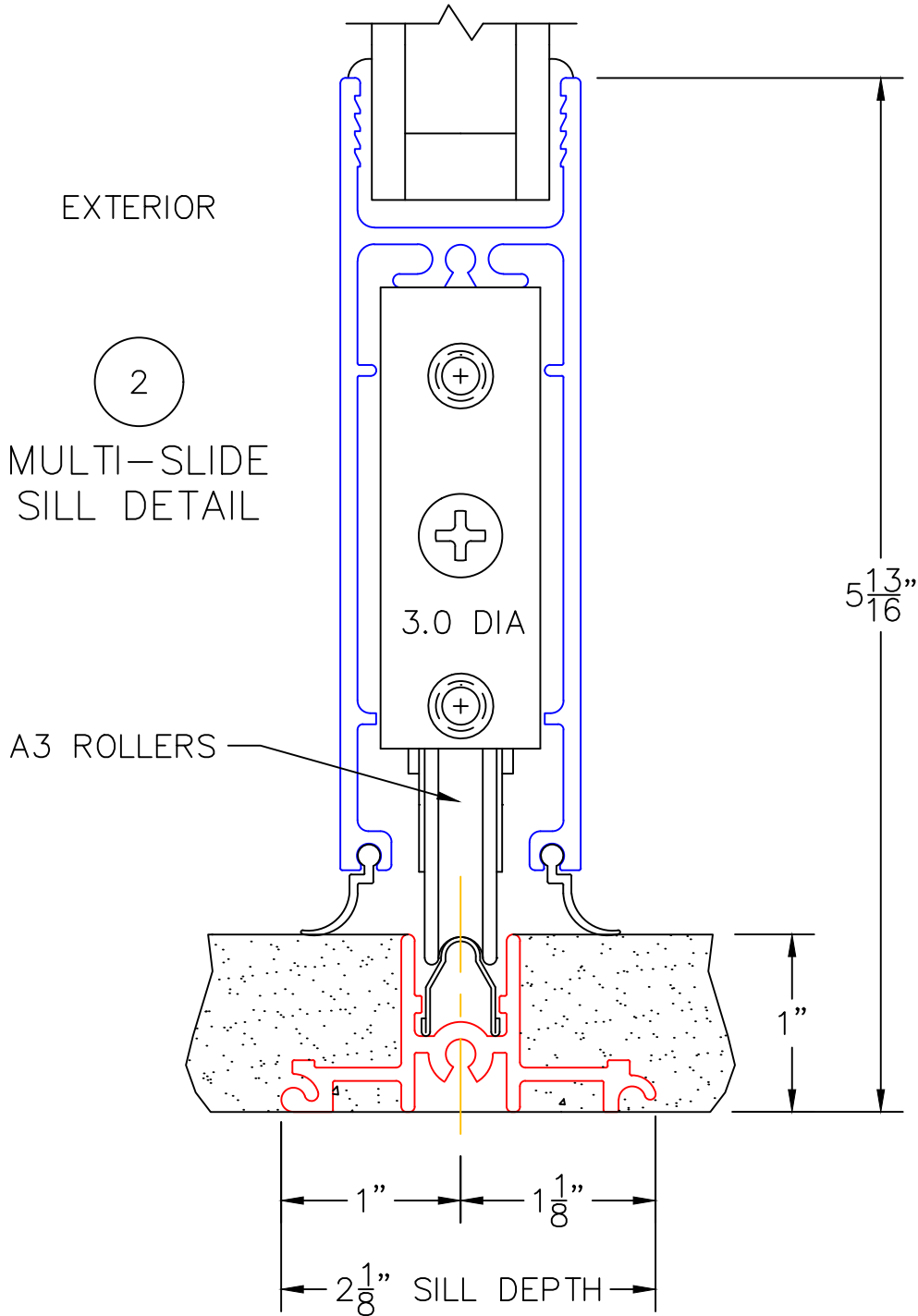
①
MULTI-SLIDE
HEAD DETAIL

EXTERIOR



0 0.5 1
(USE RULER TO SCALE DIMENSIONS IN INCHES)
SCALE: FULL

PX DOOR
HIDDEN TRACK

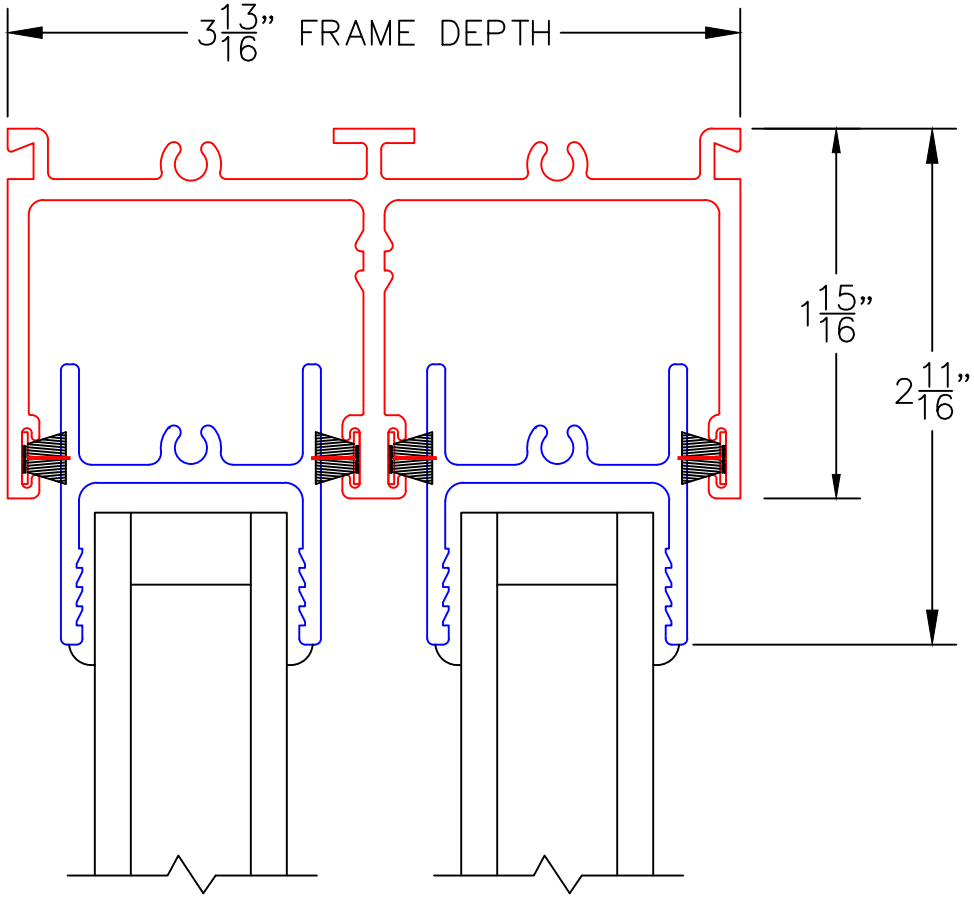


0 0.5 1
(USE RULER TO SCALE DIMENSIONS IN INCHES)
SCALE: FULL

PXX DOOR
HIDDEN TRACK

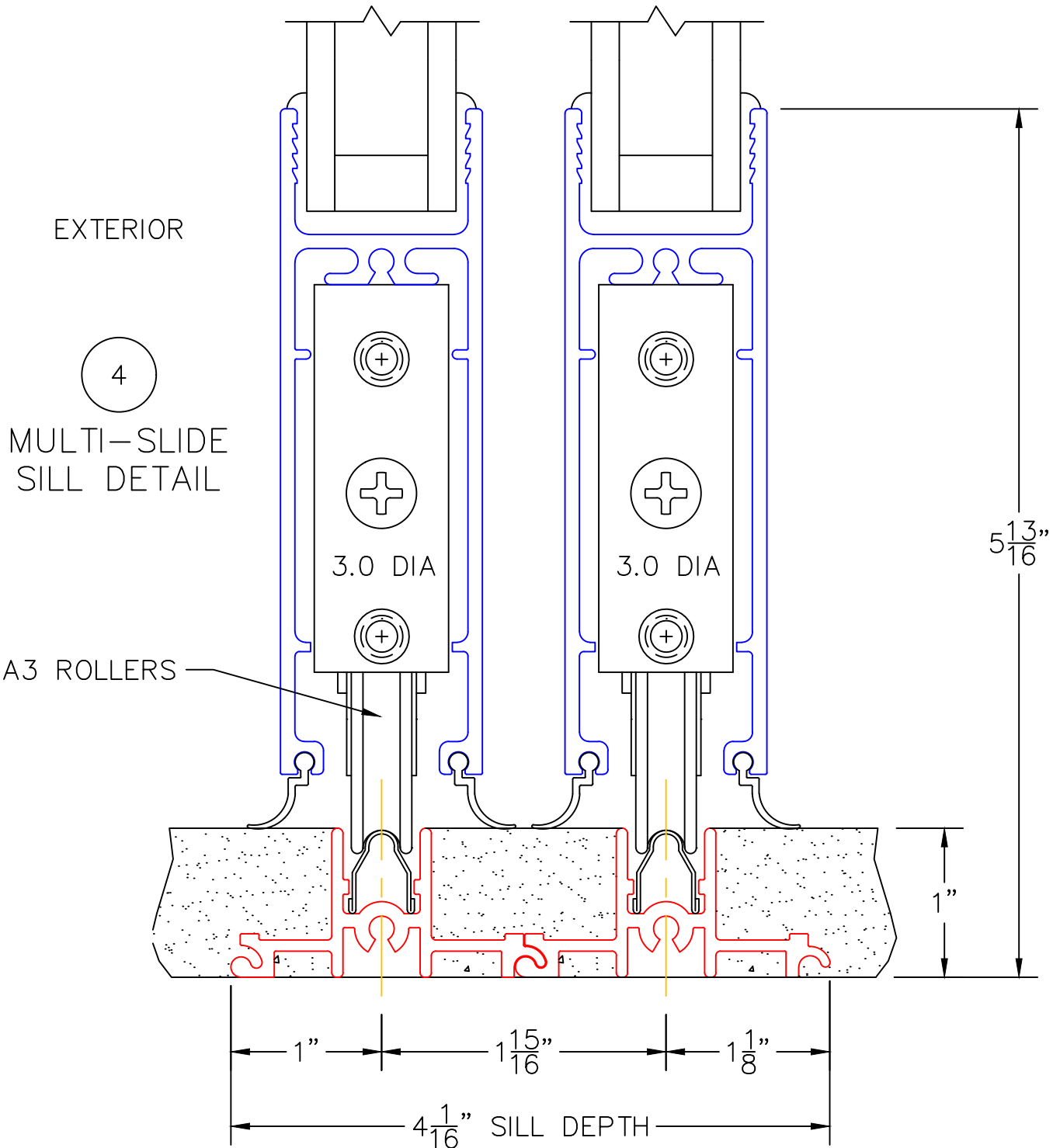
3
MULTI-SLIDE
HEAD DETAIL

EXTERIOR



0 0.5 1
(USE RULER TO SCALE DIMENSIONS IN INCHES)
SCALE: FULL

PXX DOOR
HIDDEN TRACK

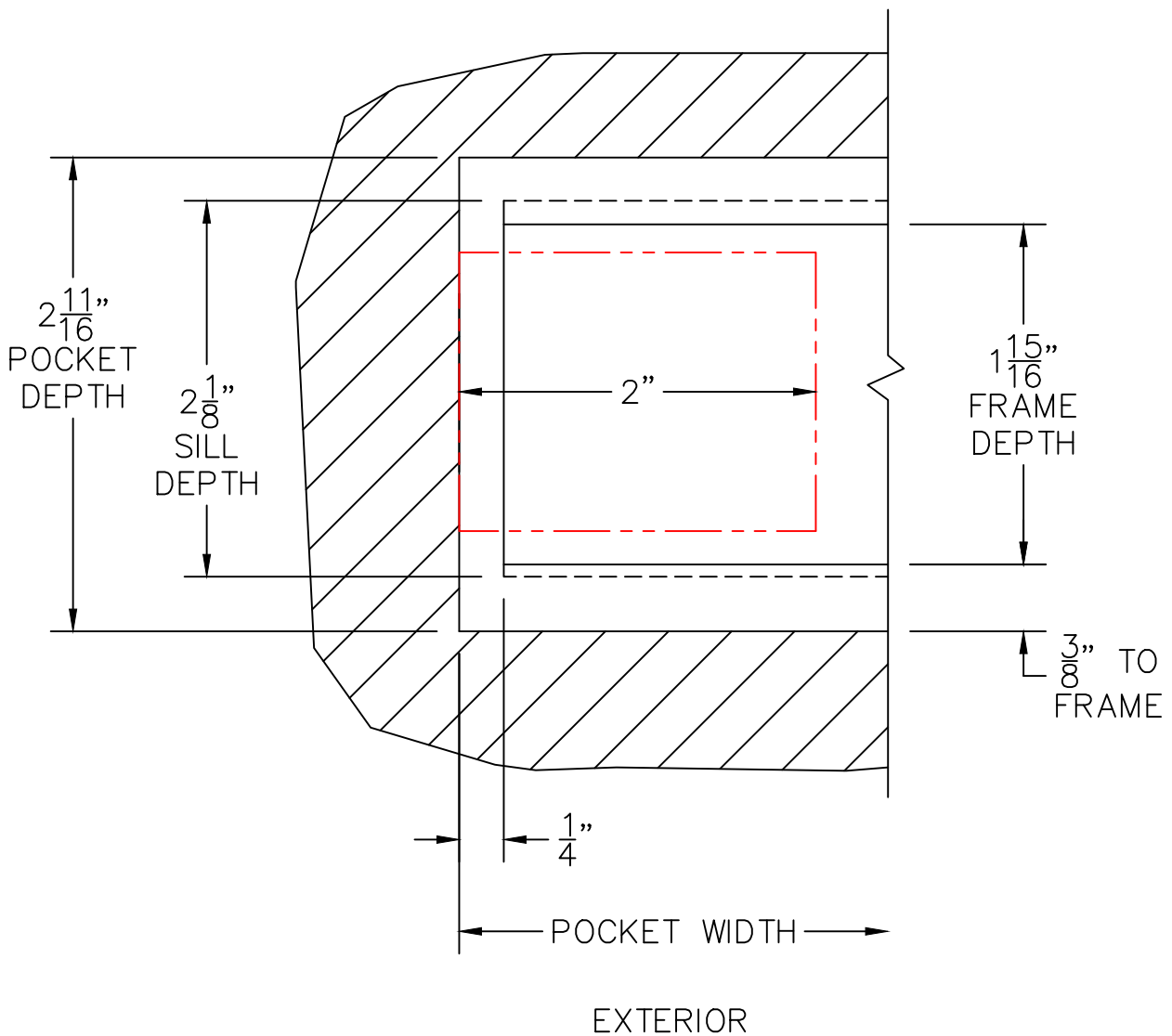


0 0.5 1
(USE RULER TO SCALE DIMENSIONS IN INCHES)
SCALE: FULL

PX DOOR
HIDDEN TRACK

5

POCKET JAMB

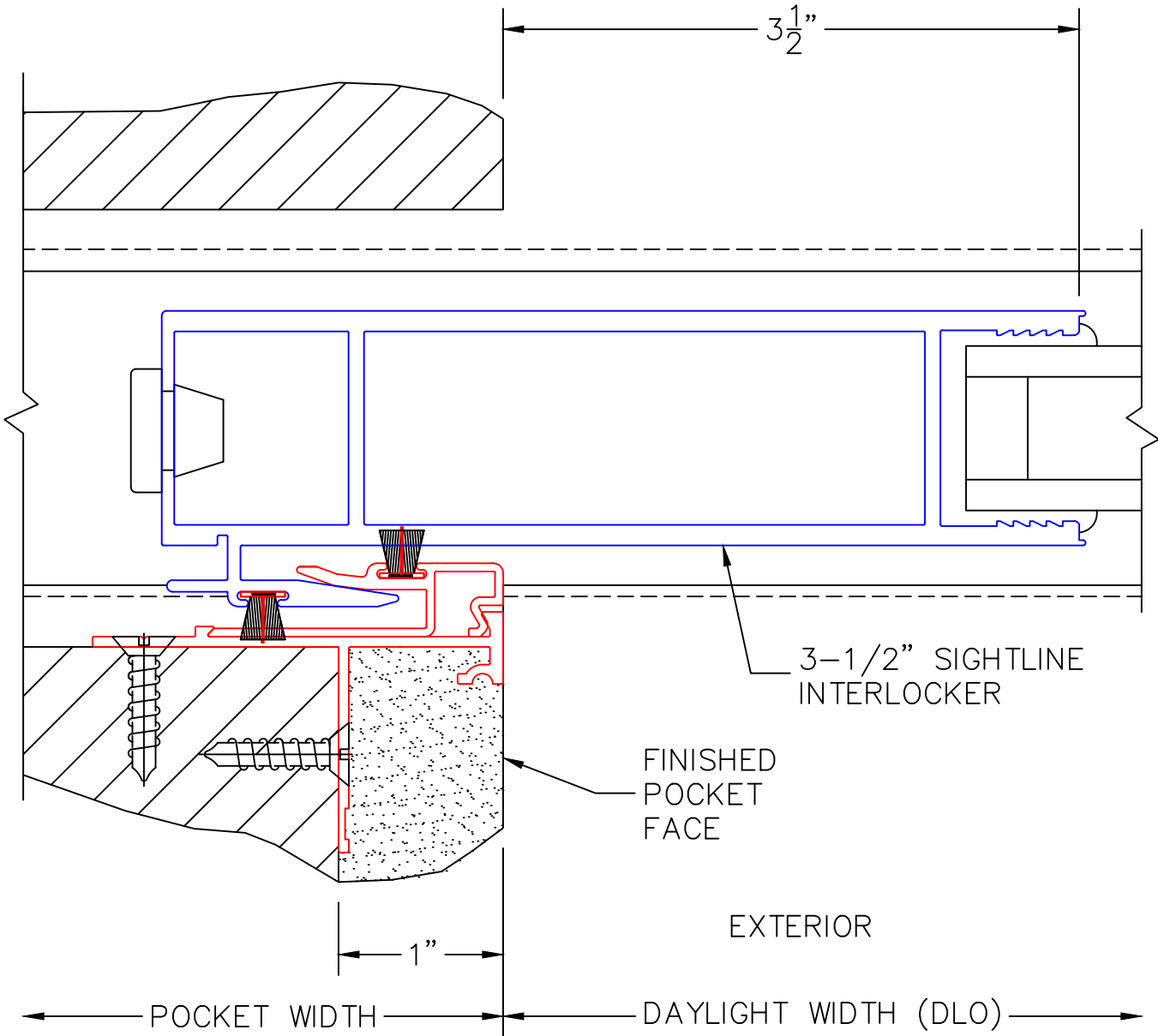


0 0.5 1
(USE RULER TO SCALE DIMENSIONS IN INCHES)
SCALE: FULL

PX DOOR
HIDDEN TRACK

6

2-PIECE POCKET
INTERLOCKER

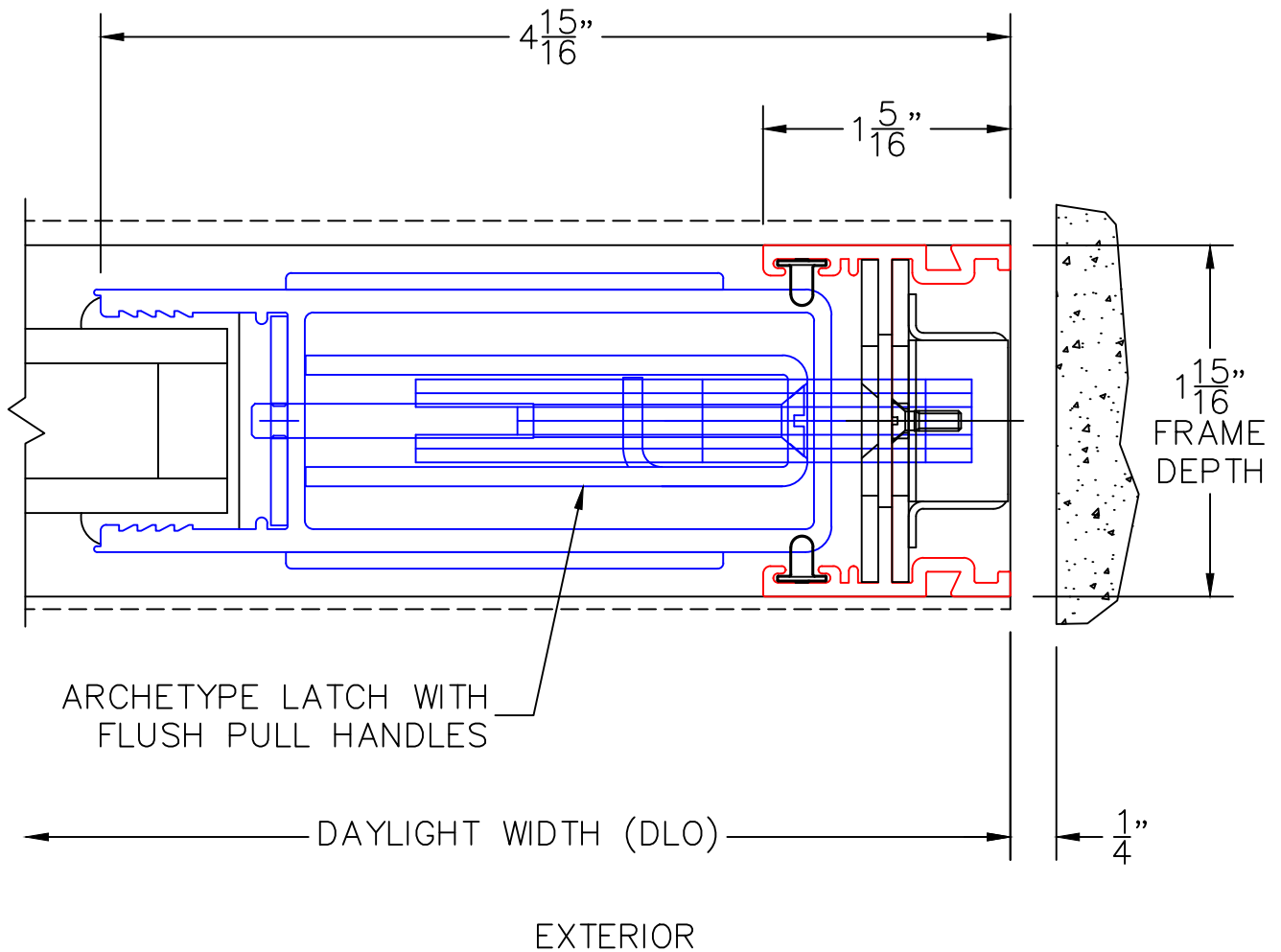


0 0.5 1
(USE RULER TO SCALE DIMENSIONS IN INCHES)
SCALE: FULL

PX DOOR
HIDDEN TRACK

7

LOCK JAMB

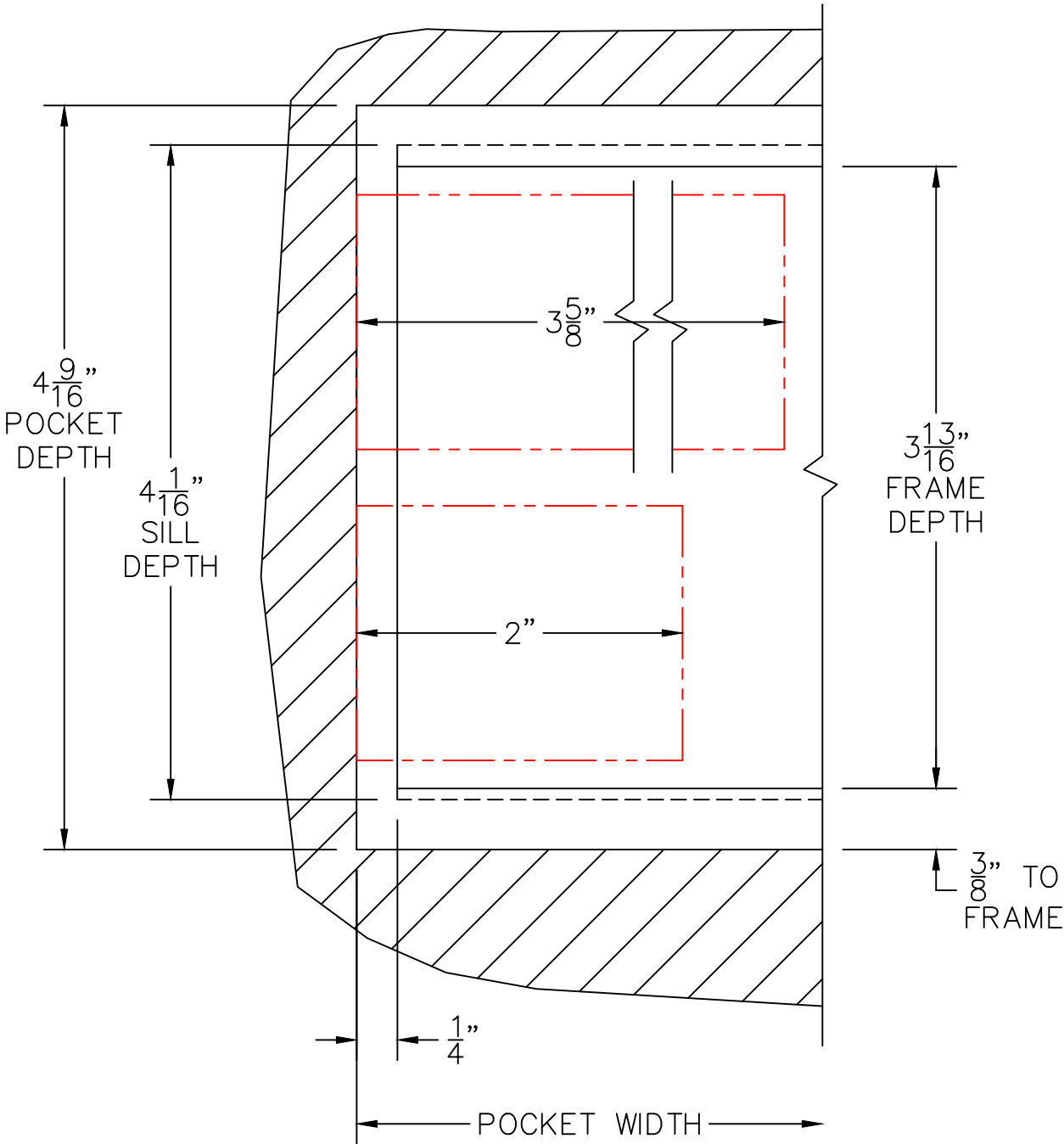


0 0.5 1
(USE RULER TO SCALE DIMENSIONS IN INCHES)
SCALE: FULL

PXX DOOR
HIDDEN TRACK

8

POCKET JAMB



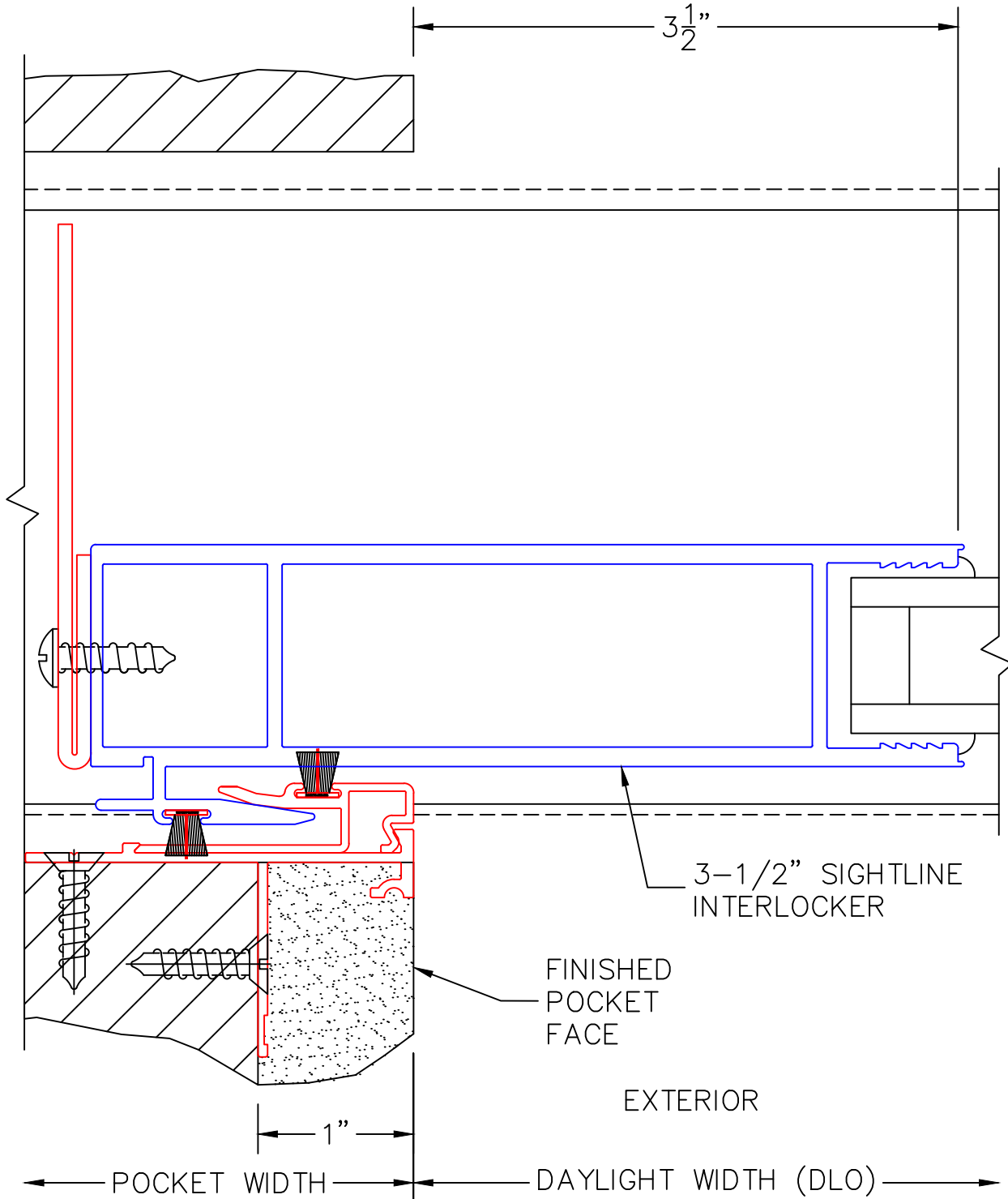
EXTERIOR

0 0.5 1
(USE RULER TO SCALE DIMENSIONS IN INCHES)
SCALE: FULL

PXX DOOR
HIDDEN TRACK

9

2-PIECE POCKET
INTERLOCKER

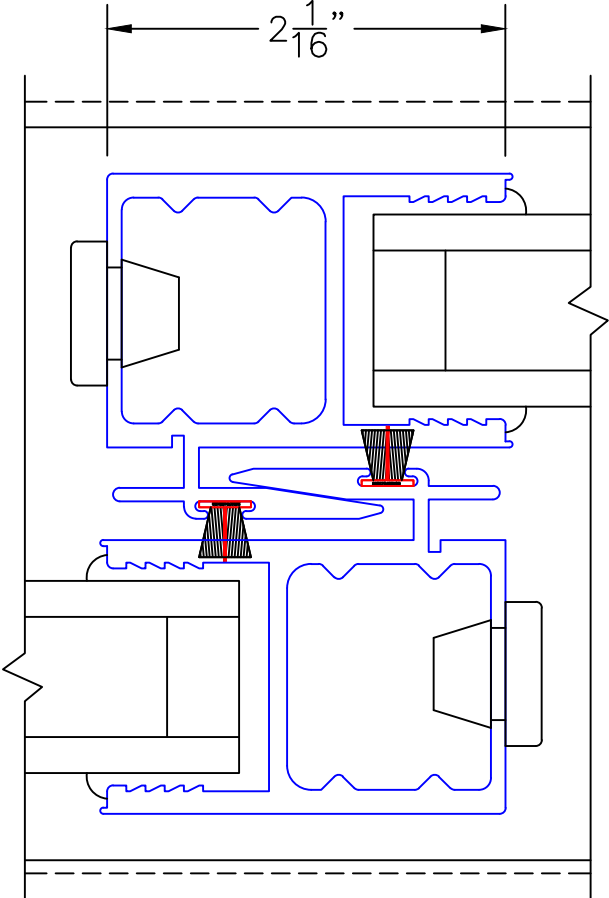


0 0.5 1
(USE RULER TO SCALE DIMENSIONS IN INCHES)
SCALE: FULL

PXX DOOR
HIDDEN TRACK

10

INTERLOCKERS

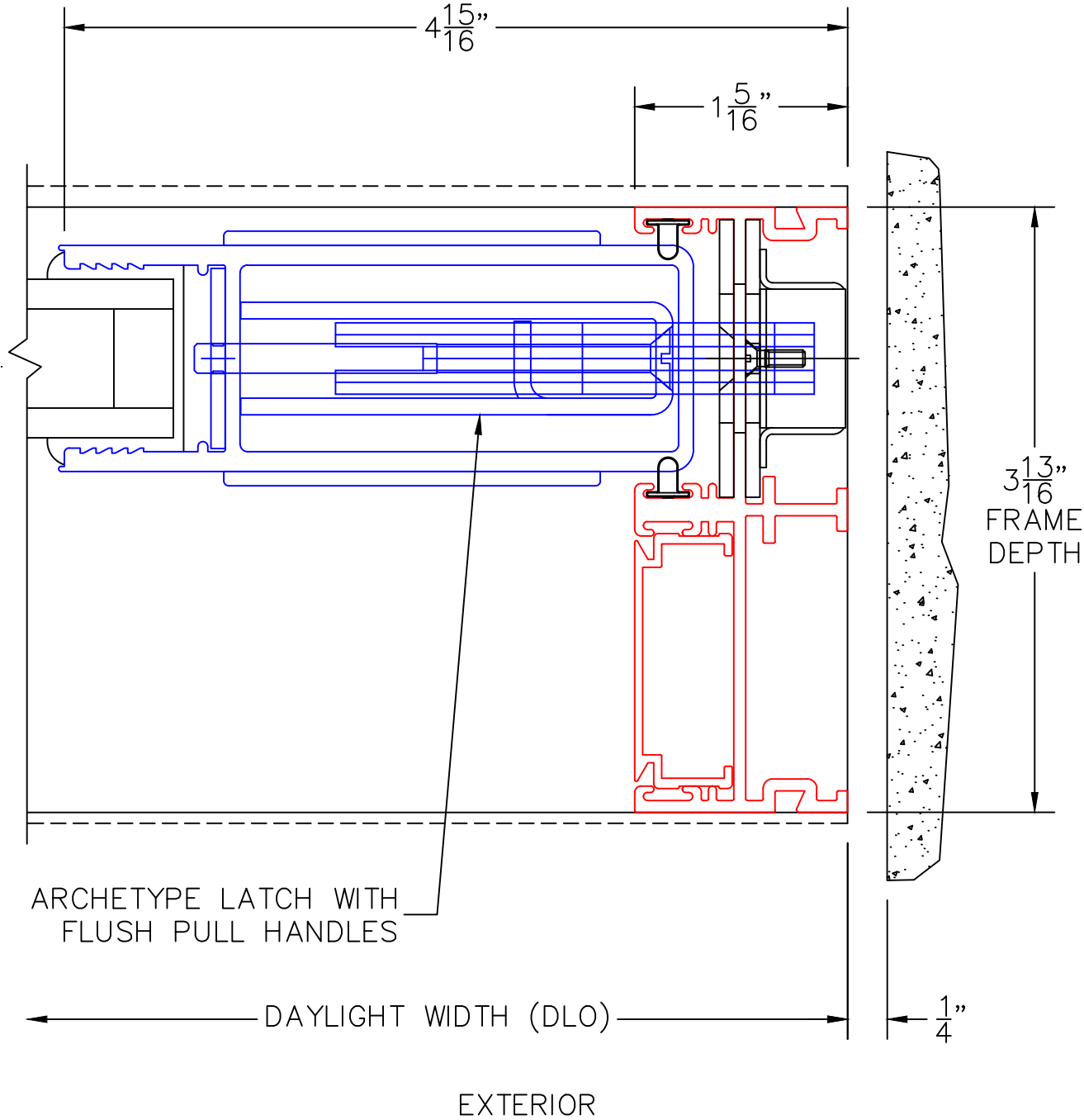


0 0.5 1
(USE RULER TO SCALE DIMENSIONS IN INCHES)
SCALE: FULL

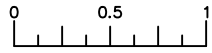
PXX DOOR
HIDDEN TRACK

11

LOCK JAMB



PXIXP DOOR



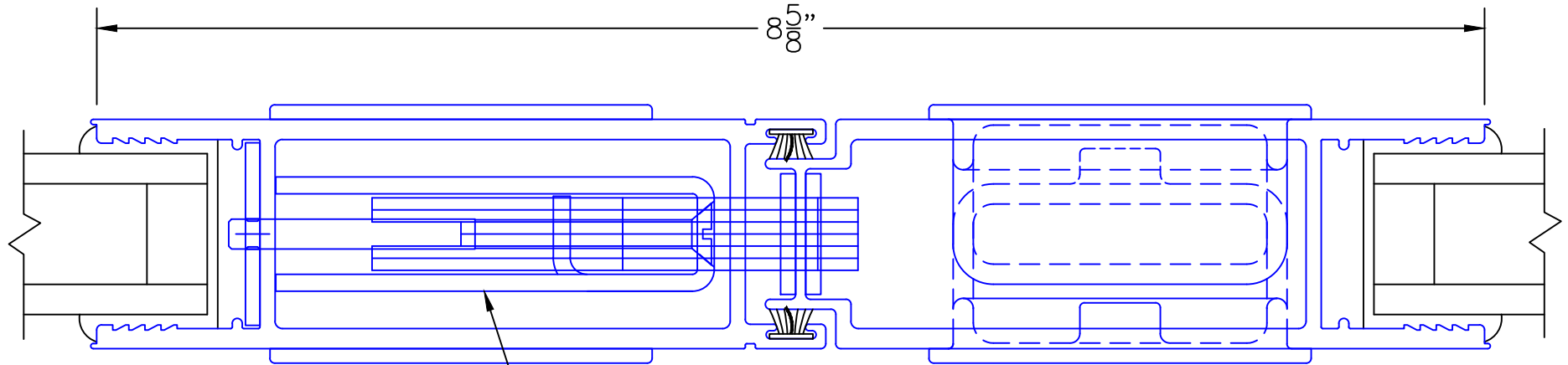
(USE RULER TO SCALE DIMENSIONS IN INCHES)

SCALE: FULL

12

MEETING STILES

8 $\frac{5}{8}$ "



EXTERIOR

ARCHETYPE LATCH WITH
FLUSH PULL HANDLES