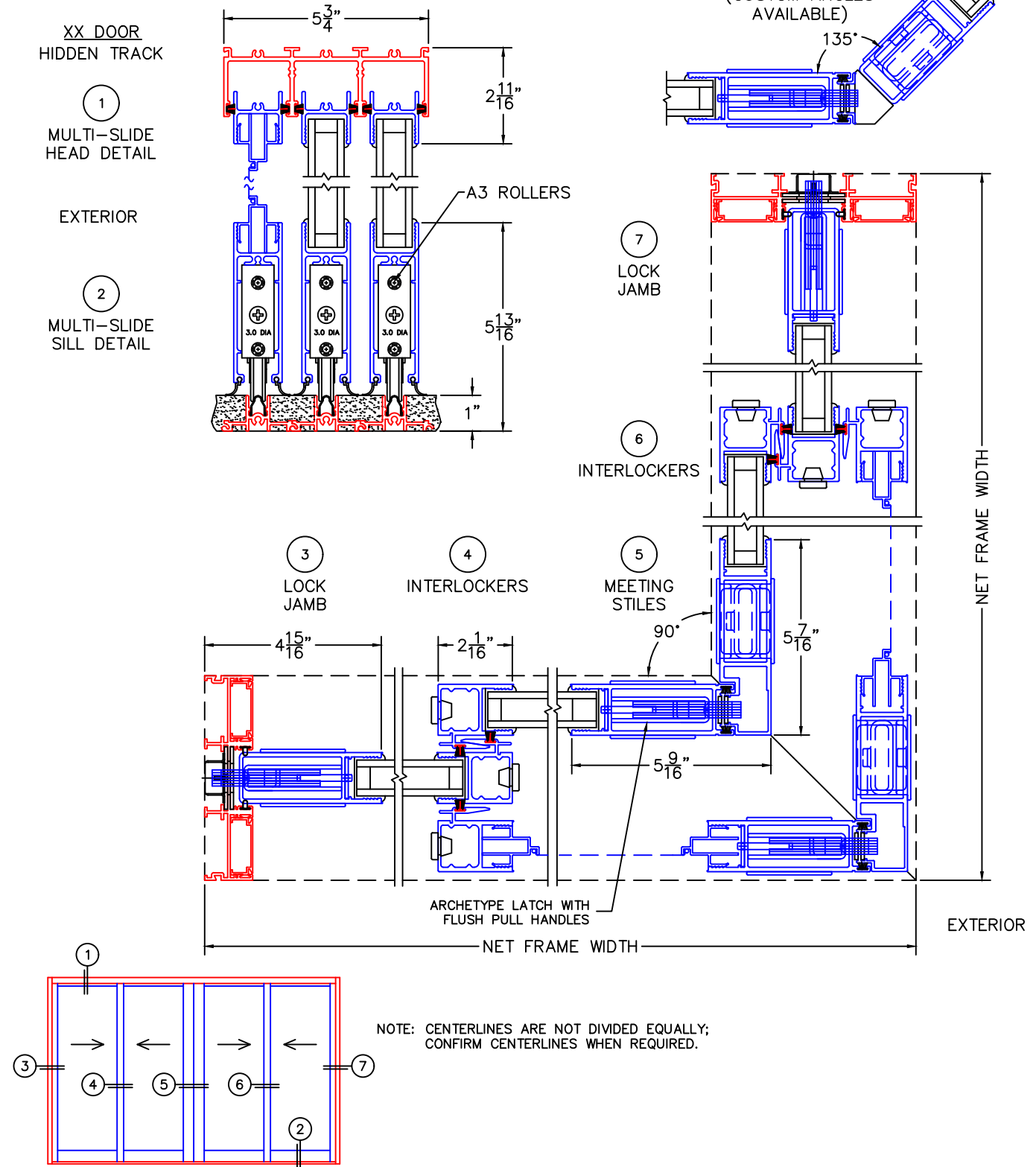


(USE RULER TO SCALE DIMENSIONS IN INCHES)

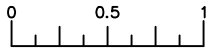
SCALE: 1/4

MULTI-SLIDE CORNER DOOR DETAILS WITH SCREENS



FOR ADDITIONAL OPTIONS AND UPGRADES  
SEE DRAWINGS 3050-08, 3050-09 & 3050-10.

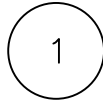
-GLASS PENETRATION: 11/16"



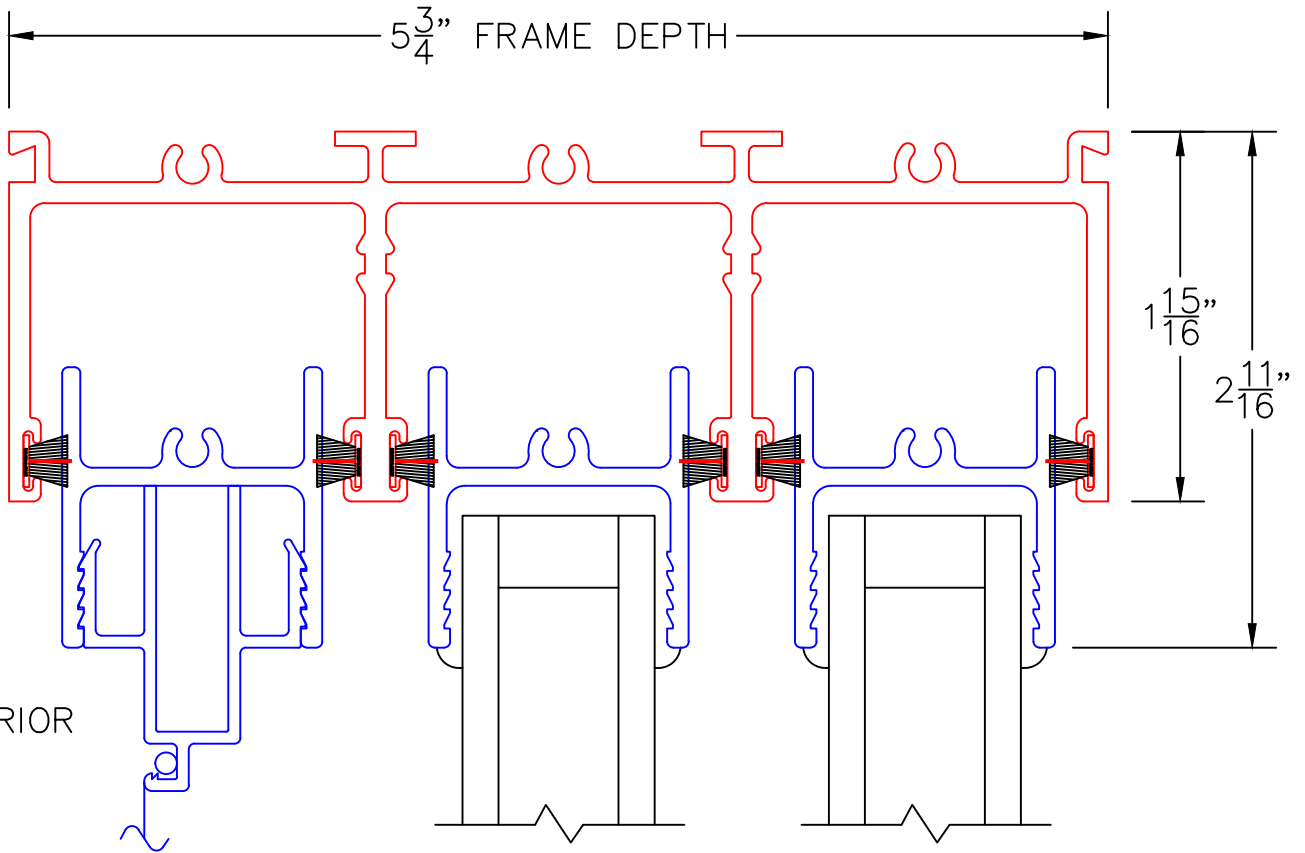
(USE RULER TO SCALE DIMENSIONS IN INCHES)

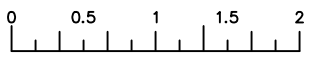
**SCALE: FULL**

XX DOOR



MULTI-SLIDE  
HEAD DETAIL





(USE RULER TO SCALE DIMENSIONS IN INCHES)

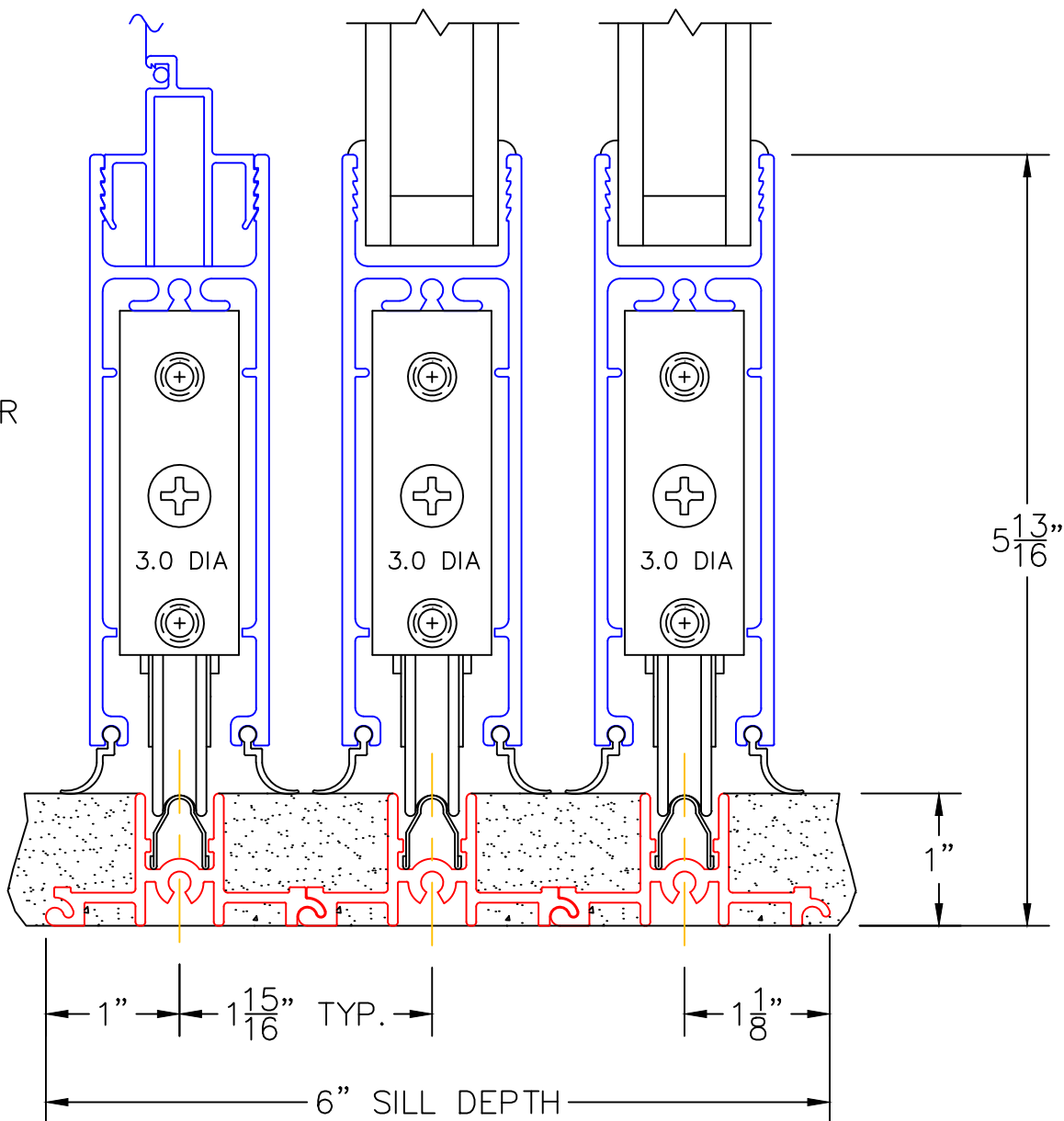
SCALE: 3/4

XX DOOR  
HIDDEN TRACK

2

MULTI-SLIDE  
SILL DETAIL

EXTERIOR

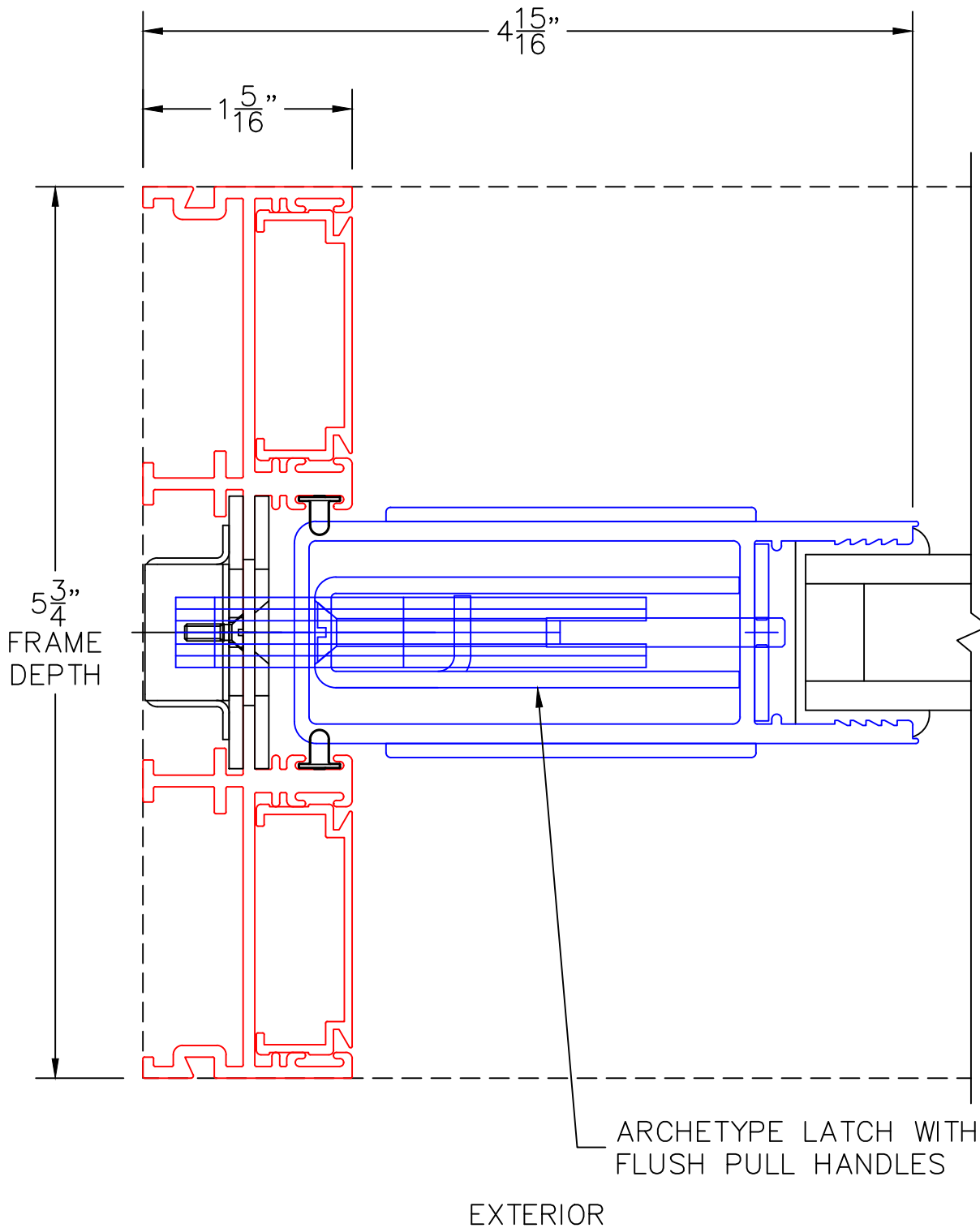


0 0.5 1  
(USE RULER TO SCALE DIMENSIONS IN INCHES)  
SCALE: FULL

XX DOOR  
HIDDEN TRACK

3

LOCK JAMB



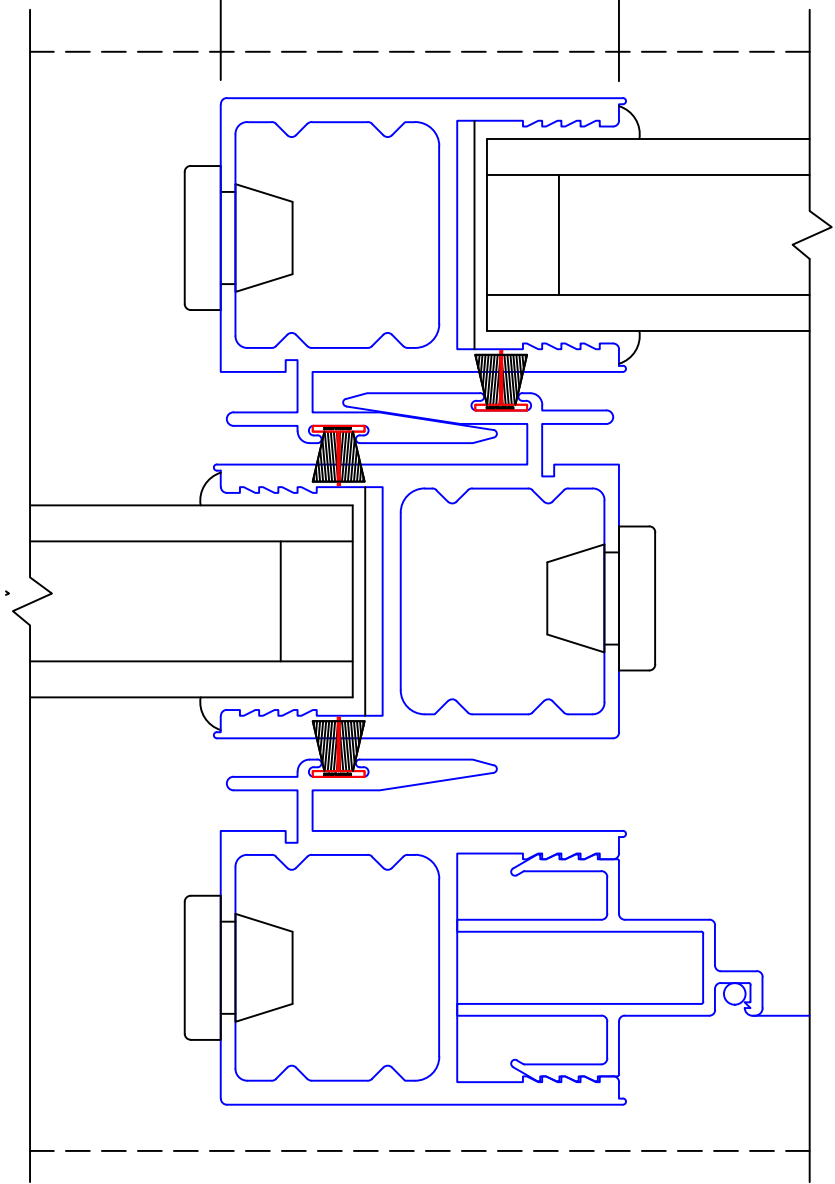
0 0.5 1  
(USE RULER TO SCALE DIMENSIONS IN INCHES)  
**SCALE: FULL**

XX DOOR  
HIDDEN TRACK

4

INTERLOCKERS

2 <sup>1</sup>/<sub>16</sub>''



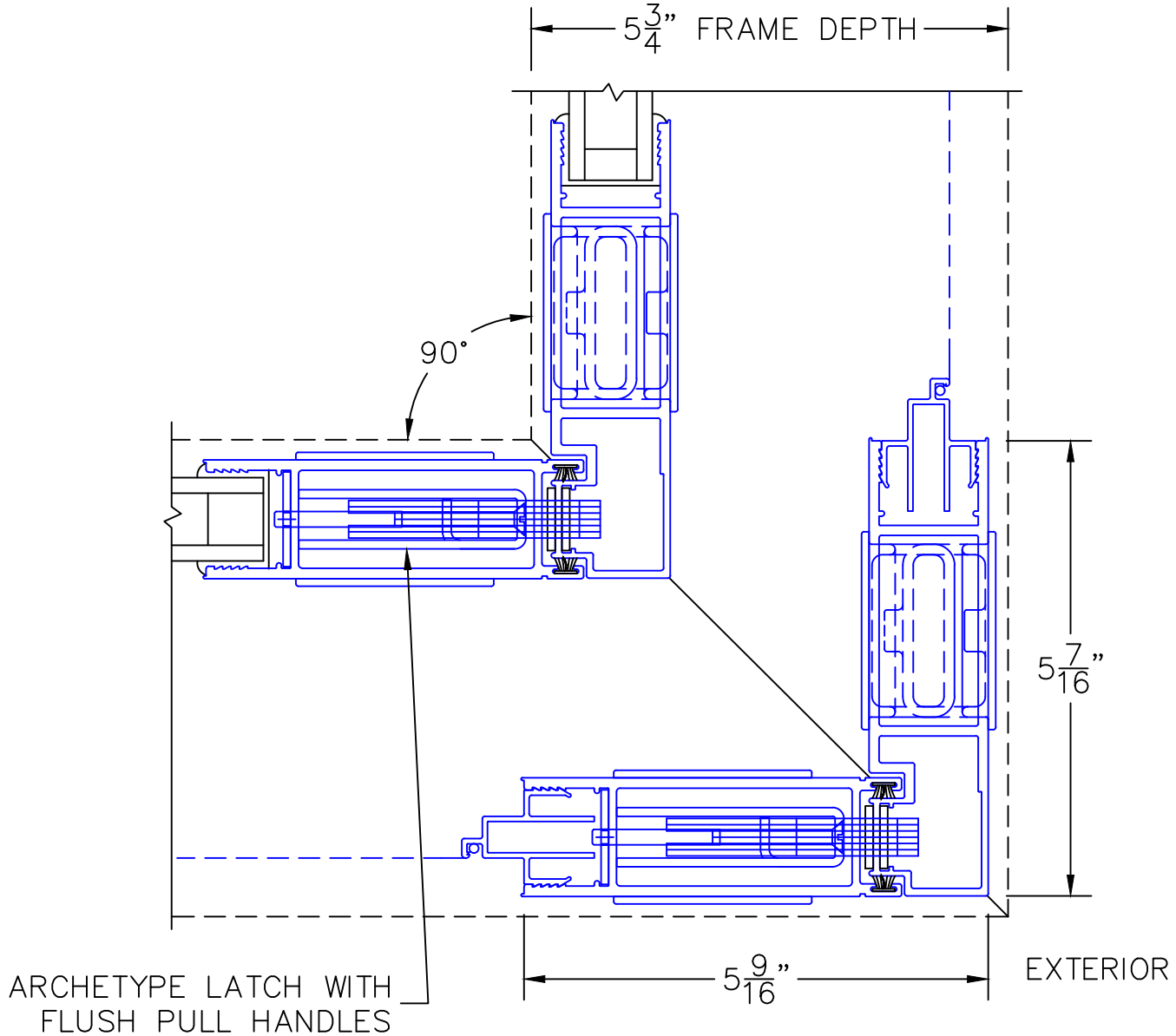
EXTERIOR

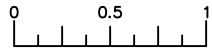
0 1 2  
(USE RULER TO SCALE DIMENSIONS IN INCHES)  
**SCALE: 1/2**

XXVXX DOOR  
HIDDEN TRACK

5

90° MEETING STILES





(USE RULER TO SCALE DIMENSIONS IN INCHES)

**SCALE: FULL**

XXVXX DOOR

5A

135° MEETING STILES  
(CUSTOM ANGLES  
AVAILABLE)

ARCHETYPE LATCH WITH  
FLUSH PULL HANDLES

135°

EXTERIOR

