

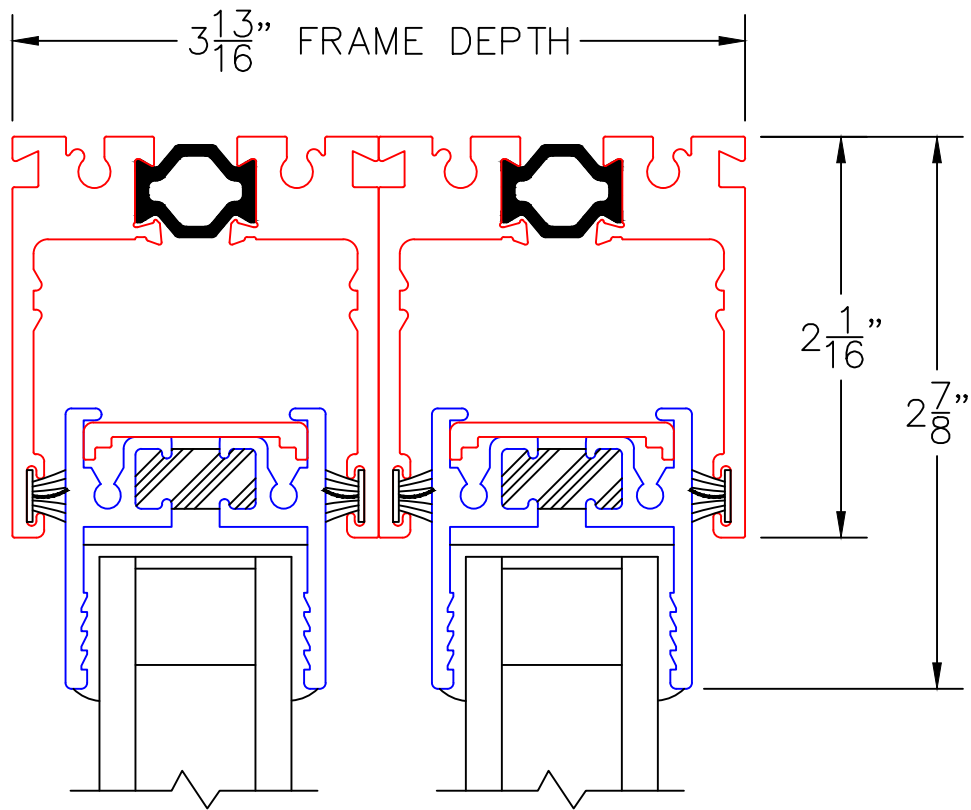


0 0.5 1  
 (USE RULER TO SCALE DIMENSIONS IN INCHES)  
**SCALE: FULL**

MULTI-SLIDE DOOR DETAILS  
 OX DOOR SHOWN

①  
 MULTI-SLIDE  
 HEAD DETAIL

EXTERIOR

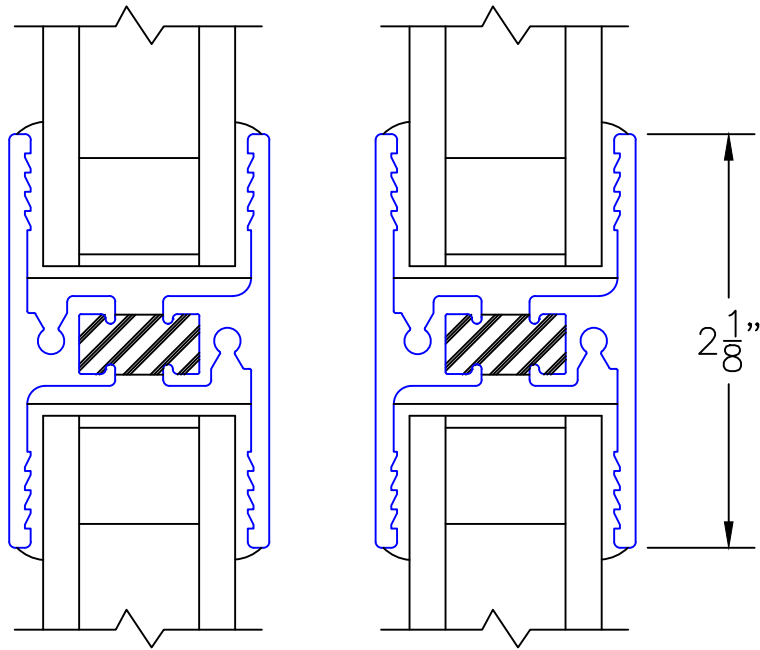


0 0.5 1  
 (USE RULER TO SCALE DIMENSIONS IN INCHES)  
**SCALE: FULL**

MULTI-SLIDE DOOR DETAILS  
 OX DOOR SHOWN

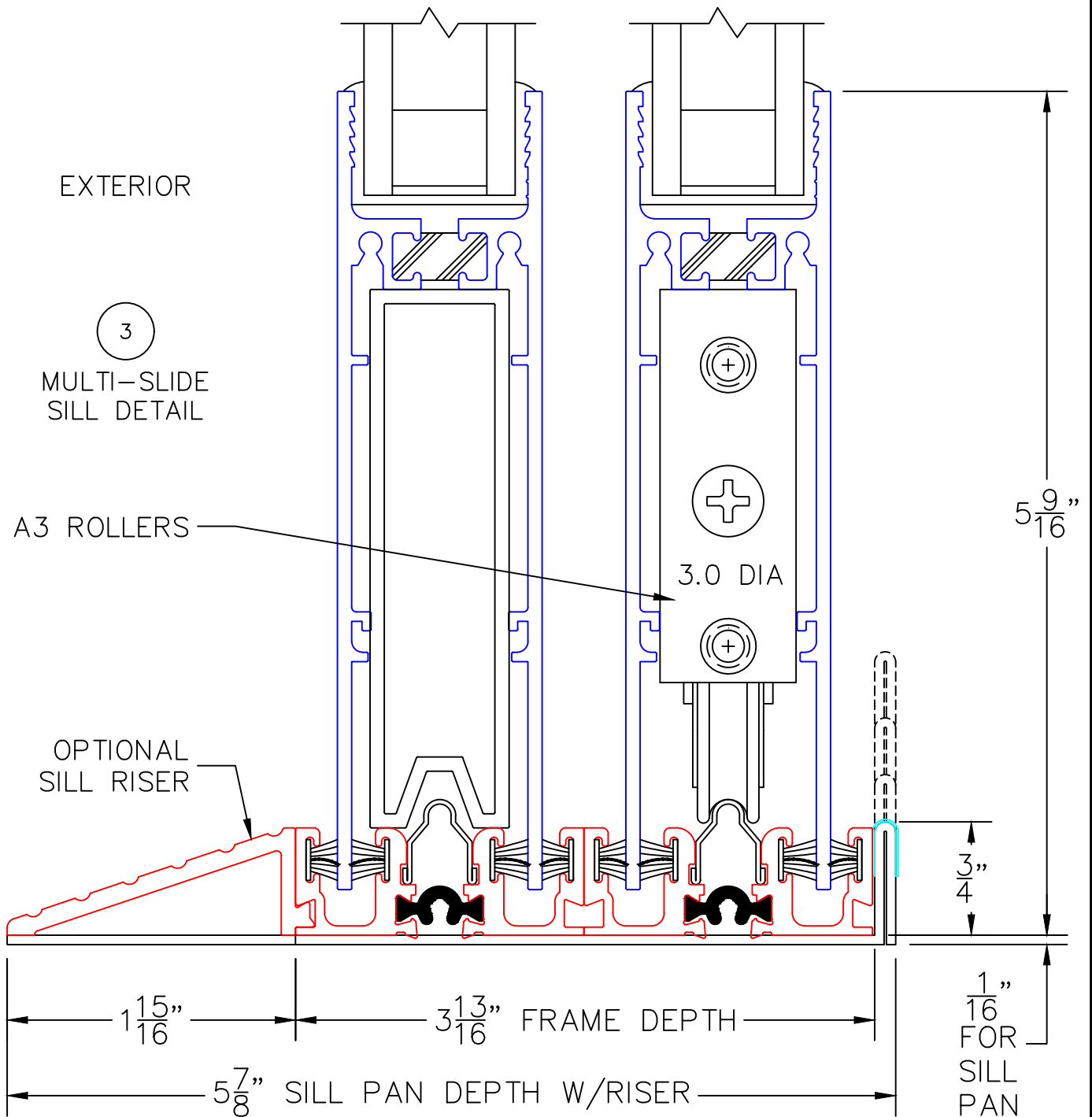
②  
 "OO" MUNTIN BAR  
 ONE DIRECTION ONLY  
 NO INTERSECTING

EXTERIOR



0 0.5 1  
(USE RULER TO SCALE DIMENSIONS IN INCHES)  
**SCALE: FULL**

**MULTI-SLIDE DOOR DETAILS**  
OX DOOR SHOWN

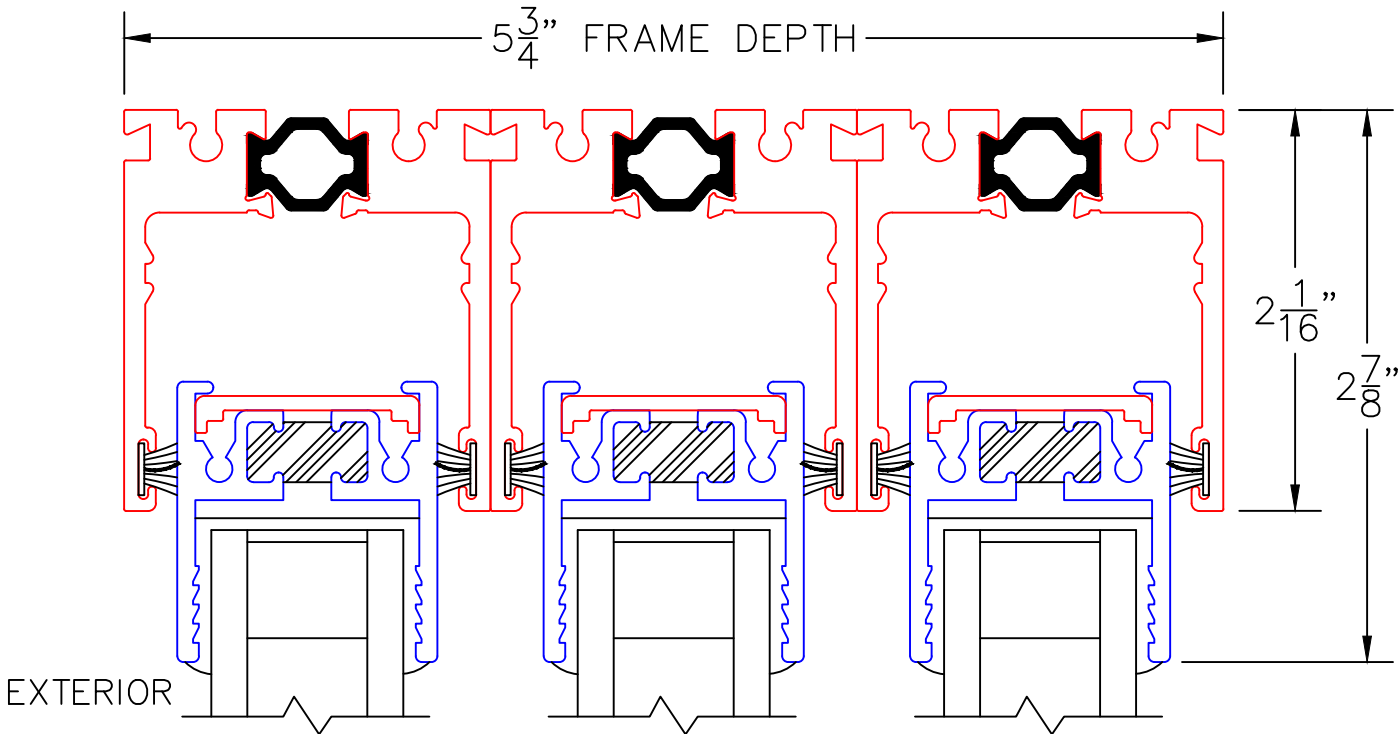


0 0.5 1  
(USE RULER TO SCALE DIMENSIONS IN INCHES)  
**SCALE: FULL**

MULTI-SLIDE DOOR DETAILS  
OXXIXX DOOR SHOWN

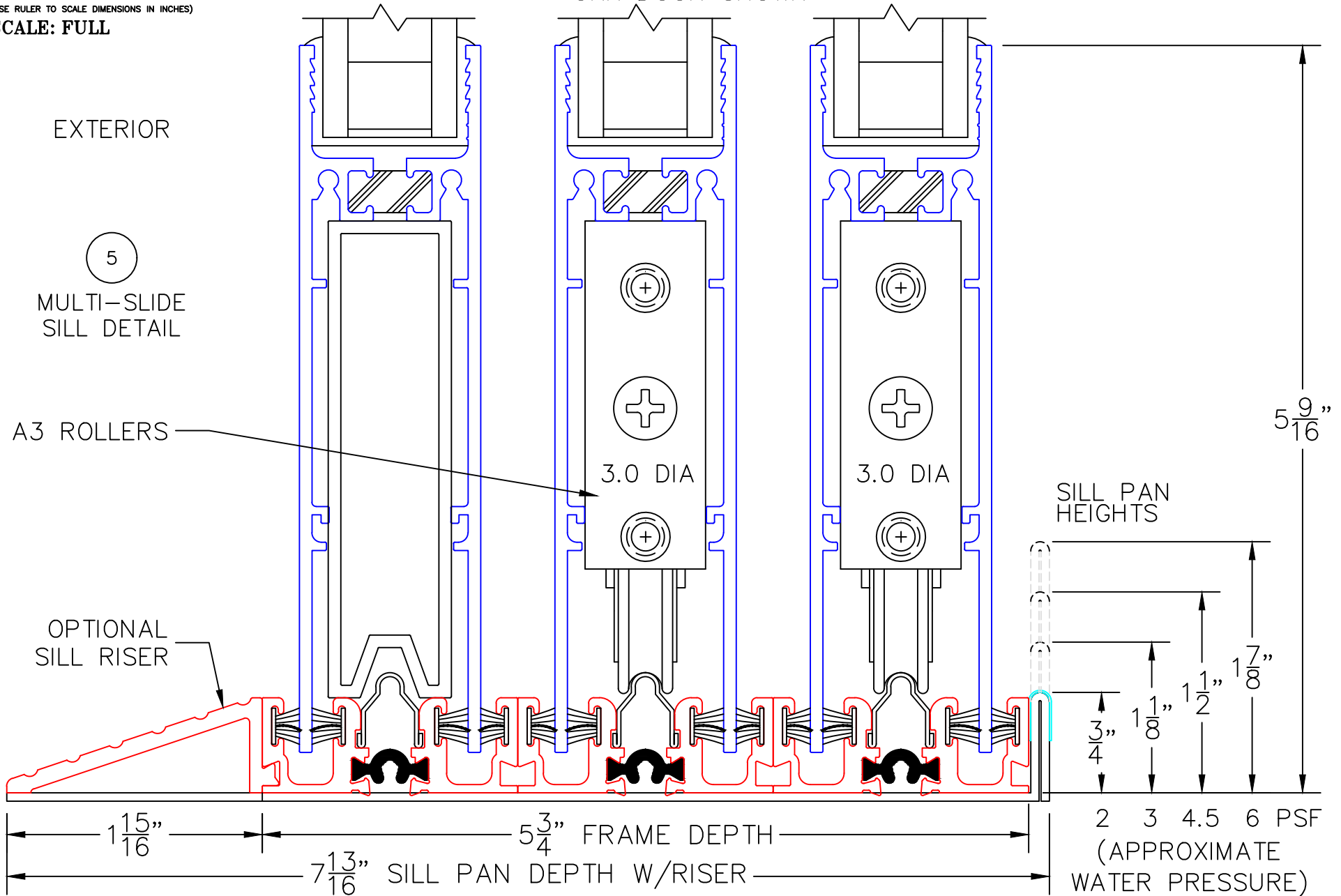
4

MULTI-SLIDE  
HEAD DETAIL



0 0.5 1  
(USE RULER TO SCALE DIMENSIONS IN INCHES)  
**SCALE: FULL**

## MULTI-SLIDE DOOR DETAILS OXX DOOR SHOWN



0 0.5 1  
(USE RULER TO SCALE DIMENSIONS IN INCHES)  
SCALE: FULL

MULTI-SLIDE DOOR DETAILS  
OX DOOR SHOWN

6

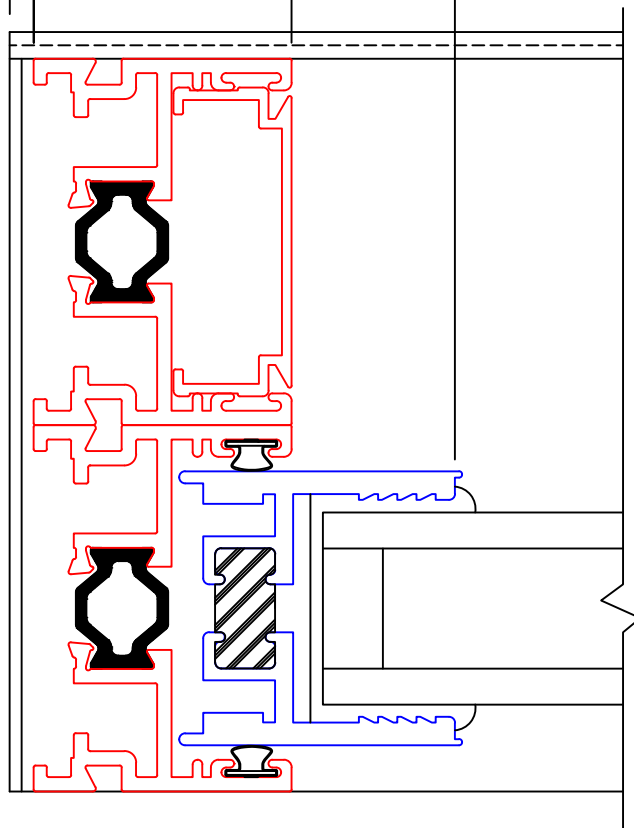
FIXED JAMB

$\frac{1}{8}$ " FOR  
SILL PAN

$2\frac{3}{16}$ "

$1\frac{5}{16}$ "

$3\frac{13}{16}$ "  
FRAME  
DEPTH



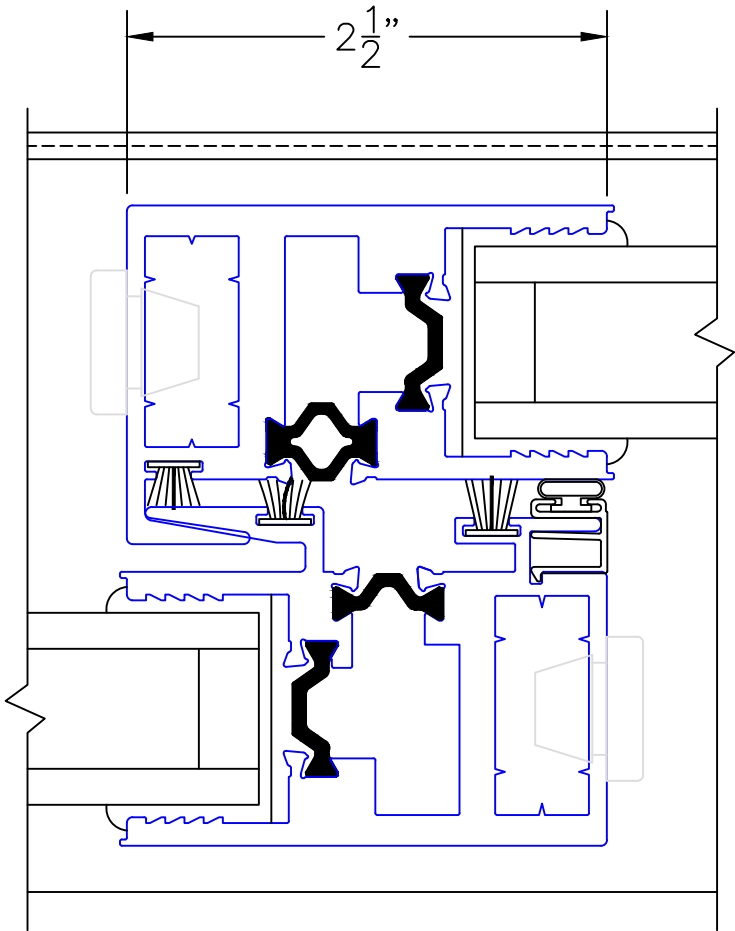
EXTERIOR

0 0.5 1  
(USE RULER TO SCALE DIMENSIONS IN INCHES)  
**SCALE: FULL**

MULTI-SLIDE DOOR DETAILS  
OX DOOR SHOWN

7

INTERLOCKERS





0 0.5 1  
(USE RULER TO SCALE DIMENSIONS IN INCHES)  
**SCALE: FULL**

MULTI-SLIDE DOOR DETAILS  
OX DOOR SHOWN

8

LOCK JAMB

$\frac{1}{8}$ " FOR  
SILL PAN

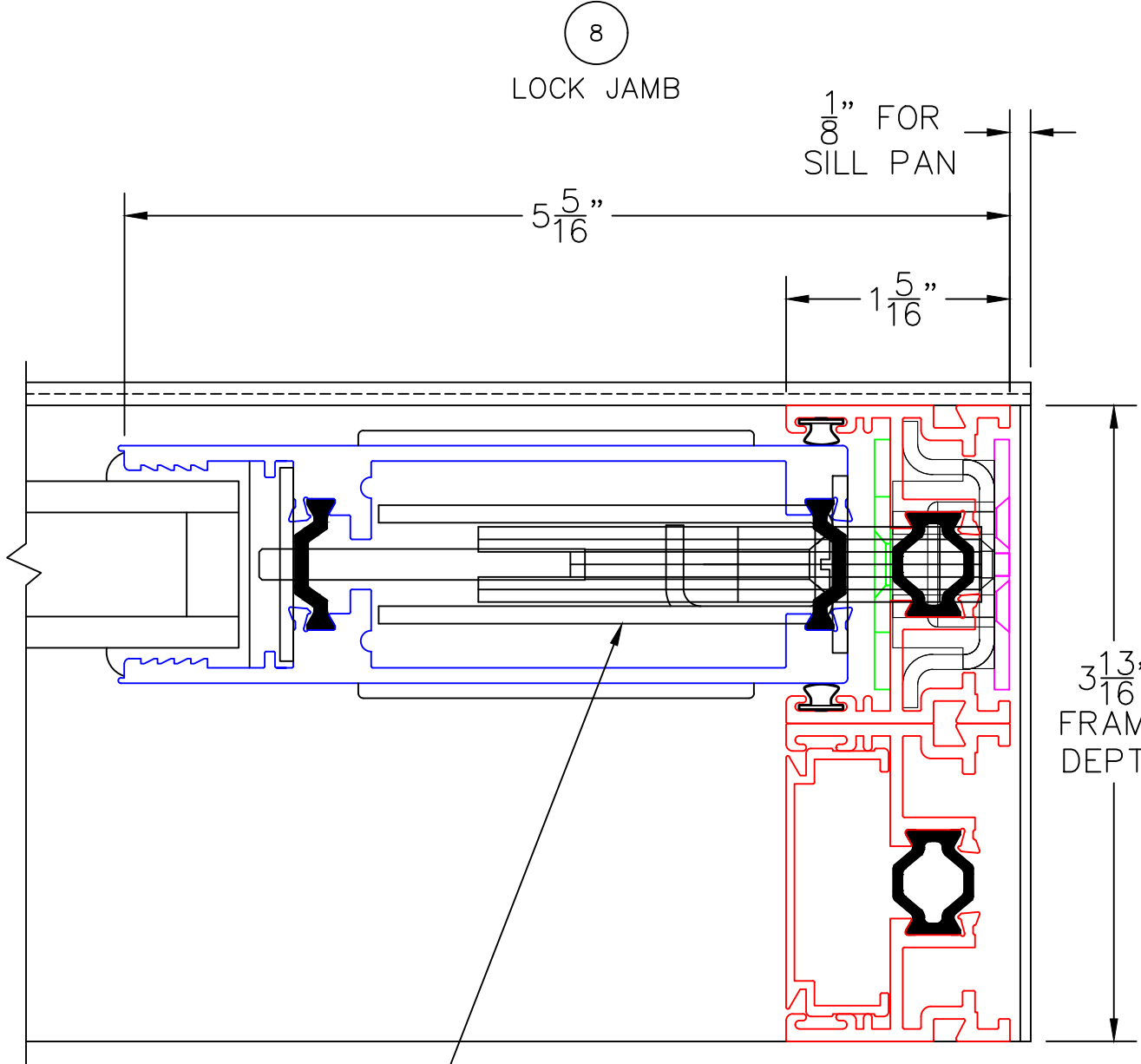
$5\frac{5}{16}$ "

$1\frac{5}{16}$ "

$3\frac{13}{16}$ "  
FRAME  
DEPTH

ARCHETYPE LATCH WITH  
FLUSH PULL HANDLES

EXTERIOR



0 0.5 1  
(USE RULER TO SCALE DIMENSIONS IN INCHES)  
**SCALE: FULL**

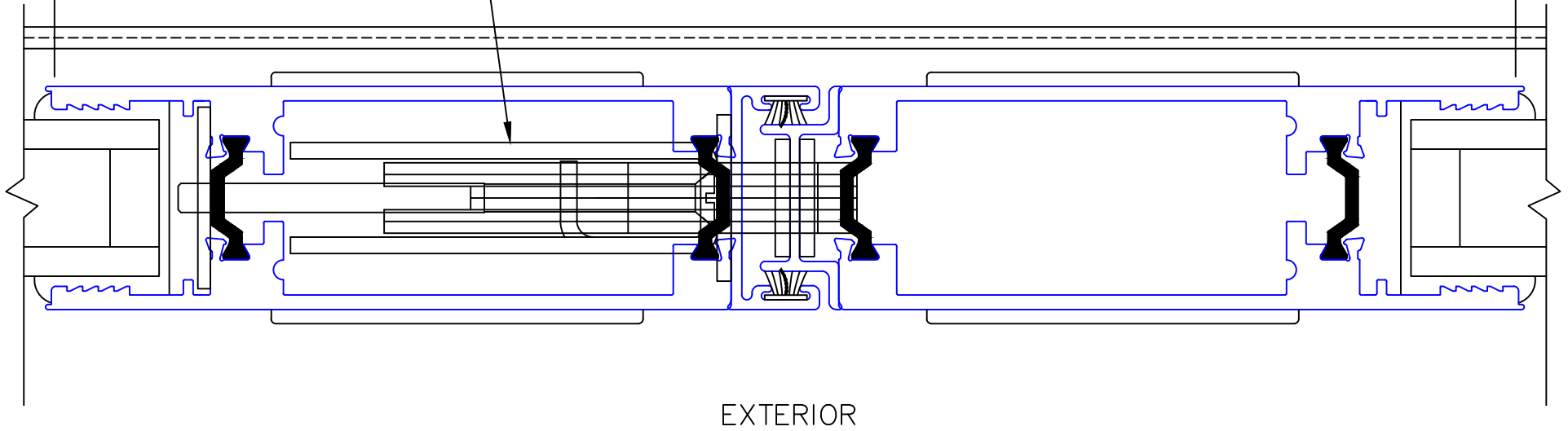
## MULTI-SLIDE DOOR DETAILS OXXIXX DOOR SHOWN

11

MEETING STILES

ARCHETYPE LATCH WITH  
FLUSH PULL HANDLES

9<sup>5</sup>/<sub>16</sub>"



0 0.5 1  
(USE RULER TO SCALE DIMENSIONS IN INCHES)  
**SCALE: FULL**

MULTI-SLIDE DOOR DETAILS  
OXXIXX DOOR SHOWN

