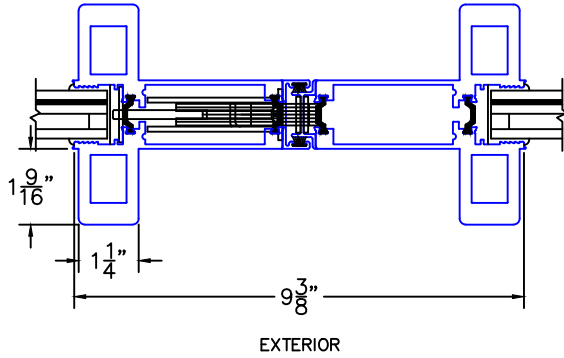


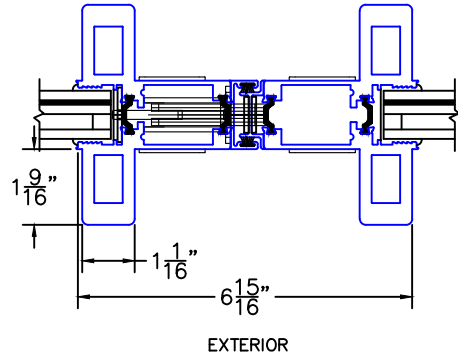
HVHZ CONDITIONS

(USE RULER TO SCALE DIMENSIONS IN INCHES)
SCALE: 1/4

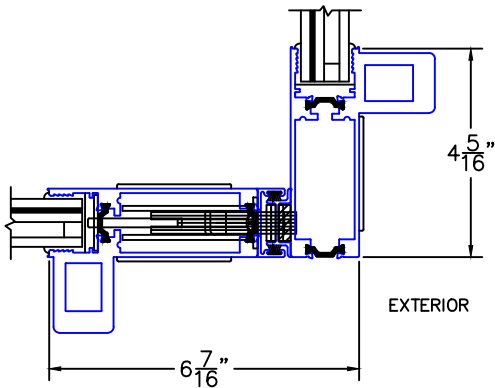
① MEETING STILES
(HP2-T ARCHETYPE SHOWN)



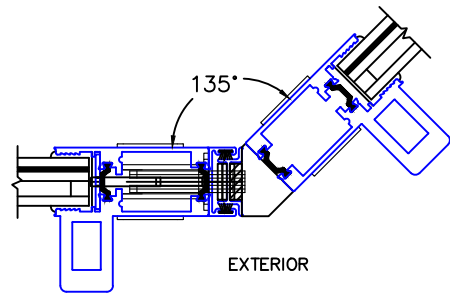
①A MEETING STILES
(HP2-T ARCHETYPE NARROW SHOWN)



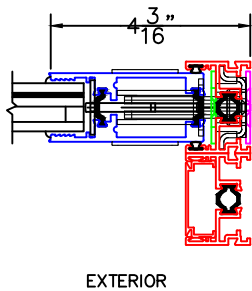
② 90° MEETING STILES (OUTSIDE CORNER
WITH HP1-T ARCHETYPE SHOWN)



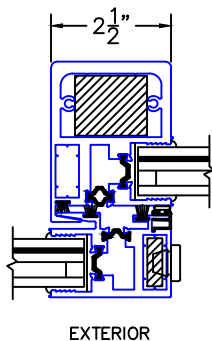
②A 135° MEETING STILES (OUTSIDE CORNER
WITH HP1-T ARCHETYPE NARROW SHOWN)



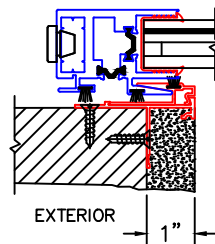
③ LOCK JAMB
(ARCHETYPE NARROW SHOWN)



④ HP INTERLOCKERS
W/ INSERTS



⑤ POCKET INTERLOCKER
(2-PIECE POCKET
INTERLOCKER SHOWN)



⑥ REVERSE HP INTERLOCKER
(2-PIECE POCKET
INTERLOCKER SHOWN)

