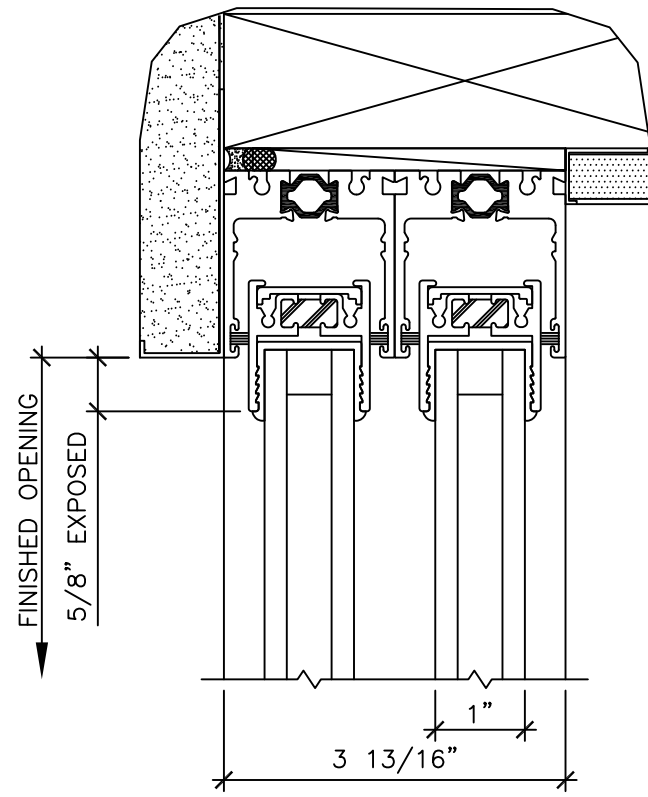
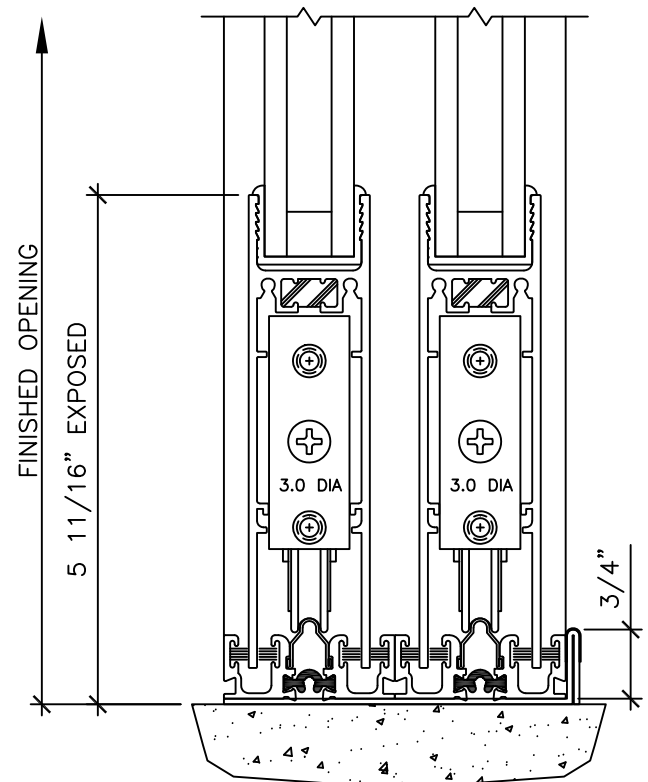


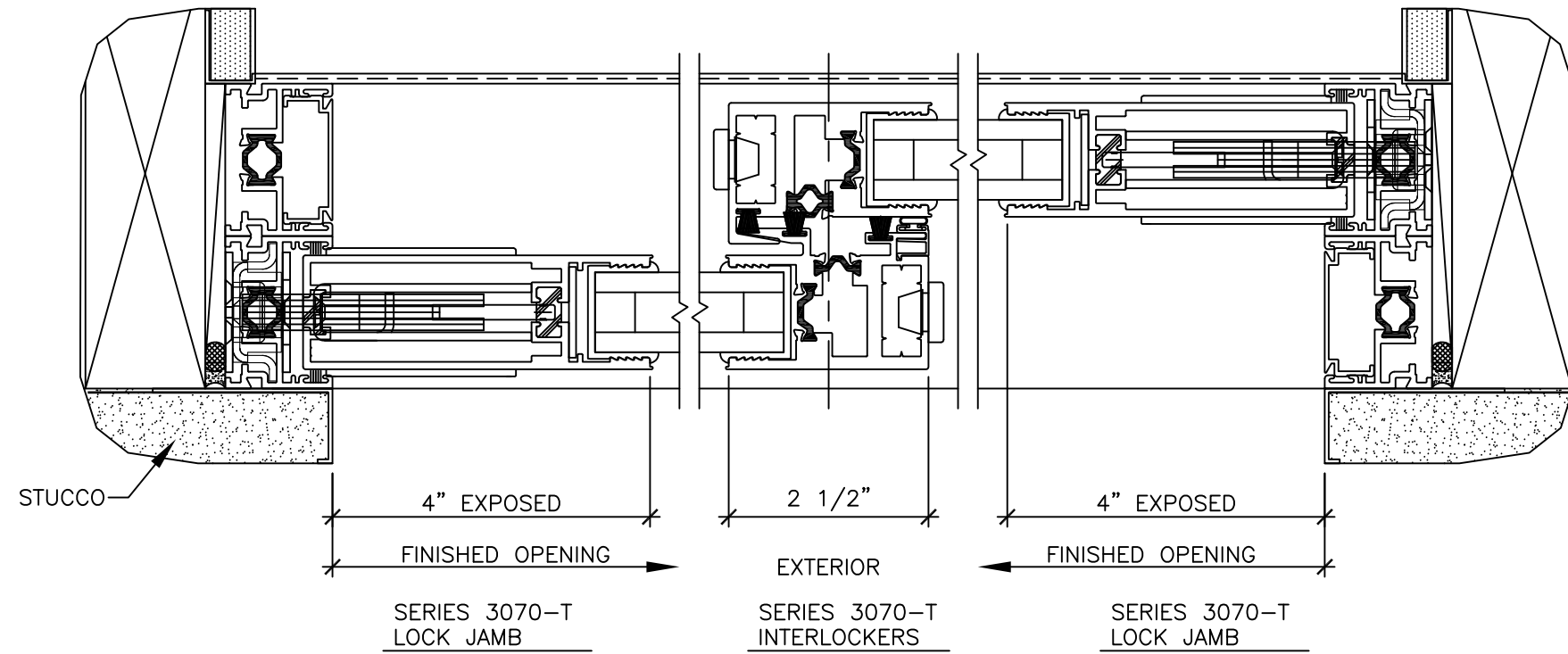
# 3070-T TYPICAL WALL CONDITIONS CONCEPT\_OPTION 1



EXTERIOR  
SERIES 3070-T HEAD



SERIES 3070-T SILL



MATERIAL: SERIES 3070-T	DATE: 8/27/15	REVISIONS: REV-1	DRAWN BY: BL	COMMENTS: ADDED HEADER
CUSTOMER: FLEETWOOD WINDOWS AND DOORS	JOB NUMBER: NA			
JOB NAME: STUCCO SURROUND R & D_OPTION 1				
<p>1 FLEETWOOD WAY CORONA, CA 92879 www.fleetwoodusa.com</p> <p><b>FLEETWOOD</b> WINDOWS &amp; DOORS</p> <p>SCALE: 1' = 1'</p> <p>DRAWING NO.: 1.01</p> <p>SHEET: 1 OF 1</p>				