

ASSEMBLY / PARTS LIST (B.O.M.)

SERIES: 3070-T
CONFIGURATION: OXXIXX

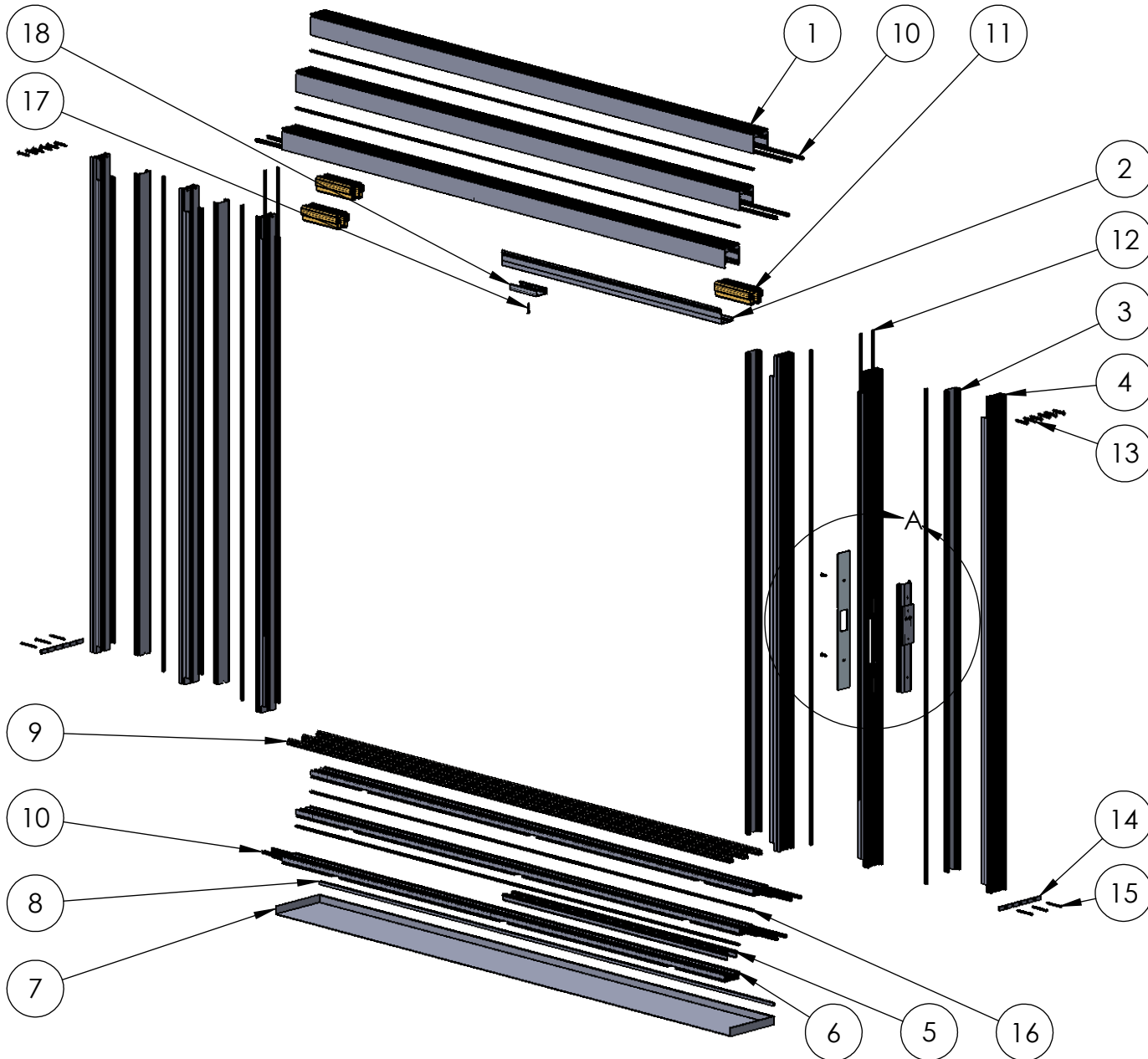


ITEM NO.	DESCRIPTION	PAGE #
1	OXXIXX Frame Assembly	2-3
2	O Panel Assembly (Interior Stack)	4
3	X Panel Assembly (No Latch)	5
4	X Panel Assembly (XI)	6-7
5	X Panel Assembly (IX)	8-9
6	X Panel Assembly (OX)	10-11

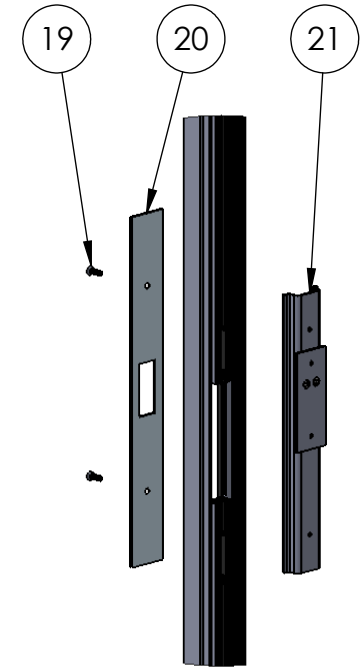
Description Table of Contents	
File Name Series 3070-T, OXXIXX No Screen Assembly	REV
Released 9/15/2017	SHEET 1 OF 11

PROPRIETARY AND CONFIDENTIAL
 THE INFORMATION CONTAINED IN THIS DRAWING IS THE SOLE PROPERTY OF FLEETWOOD WINDOWS & DOORS.
 ANY REPRODUCTION IN PART OR AS A WHOLE WITHOUT THE WRITTEN PERMISSION OF FLEETWOOD WINDOWS & DOORS IS PROHIBITED.

ASSEMBLY / PARTS LIST (B.O.M.)



NOTES:
 1. Frame Assembly scaled down to show detail.



DETAIL A
 SCALE 1:7

PROPRIETARY AND CONFIDENTIAL
 THE INFORMATION CONTAINED IN THIS DRAWING IS THE SOLE PROPERTY OF FLEETWOOD WINDOWS & DOORS.
 ANY REPRODUCTION IN PART OR AS A WHOLE WITHOUT THE WRITTEN PERMISSION OF FLEETWOOD WINDOWS & DOORS IS PROHIBITED.

Description OXXIXX Frame Assembly	
File Name Series 3070-T, OXXIXX No Screen Assembly	REV
Released	9/15/2017
SHEET 2 OF 11	

ASSEMBLY / PARTS LIST (B.O.M.)

EXTRUSIONS

ITEM NO.	PART NUMBER	DESCRIPTION	QTY.
1	3700	Head 1-Track Assembly	3
2	3014	Head Filler/Closer	1
3	3710	Jamb Filler	4
4	3711	Jamb 1-Track Assembly	6
5	3747	Sill Filler	2
6	3749	Thermal Sill 1-Track Assembly	3
7	3720-3	N3-Sillpan-3tr (60.125 x 5.75 x Flush 0.75in.)	1
8	FW1076	Sillpan Hem Cover	1
9	FW1020	Standard Stainless Steel Track Insert .5625	3

HARDWARE

ITEM NO.	PART NUMBER	DESCRIPTION	QTY.
10	19118	Small Fin Seal Mohair (23027045BKGB)	18
11	24101	Honeycomb Head Bumper	3
12	25757	Q-Lon Foam Seal (Q200T270)	4
13	20353	#10 PHP - A, 1.5 in, SS, Clear	12
14	25186	Rectangular Washer	6
15	20258	#8 FHP - A, 2 in, SS, Clear	6
16	23025	MS Track Joiner	8
17	20247	#8, FHP - A Screw, 1 in, SS, Clear	1
18	24098	Head Anti Lift	1
19	20278	#10-32 FHP-B-UC Screw, 0.5625 in, SS, Clear	2
20	24067	Strike Plate	1
21	24790	Backup Plate Assembly	1

Description
OXXIXX Frame Assembly B.O.M.

File Name
Series 3070-T, OXXIXX No
Screen Assembly

REV

PROPRIETARY AND CONFIDENTIAL

THE INFORMATION CONTAINED IN THIS DRAWING IS THE SOLE PROPERTY OF FLEETWOOD WINDOWS & DOORS.
ANY REPRODUCTION IN PART OR AS A WHOLE WITHOUT THE WRITTEN PERMISSION OF FLEETWOOD WINDOWS & DOORS IS PROHIBITED.

Released 9/15/2017

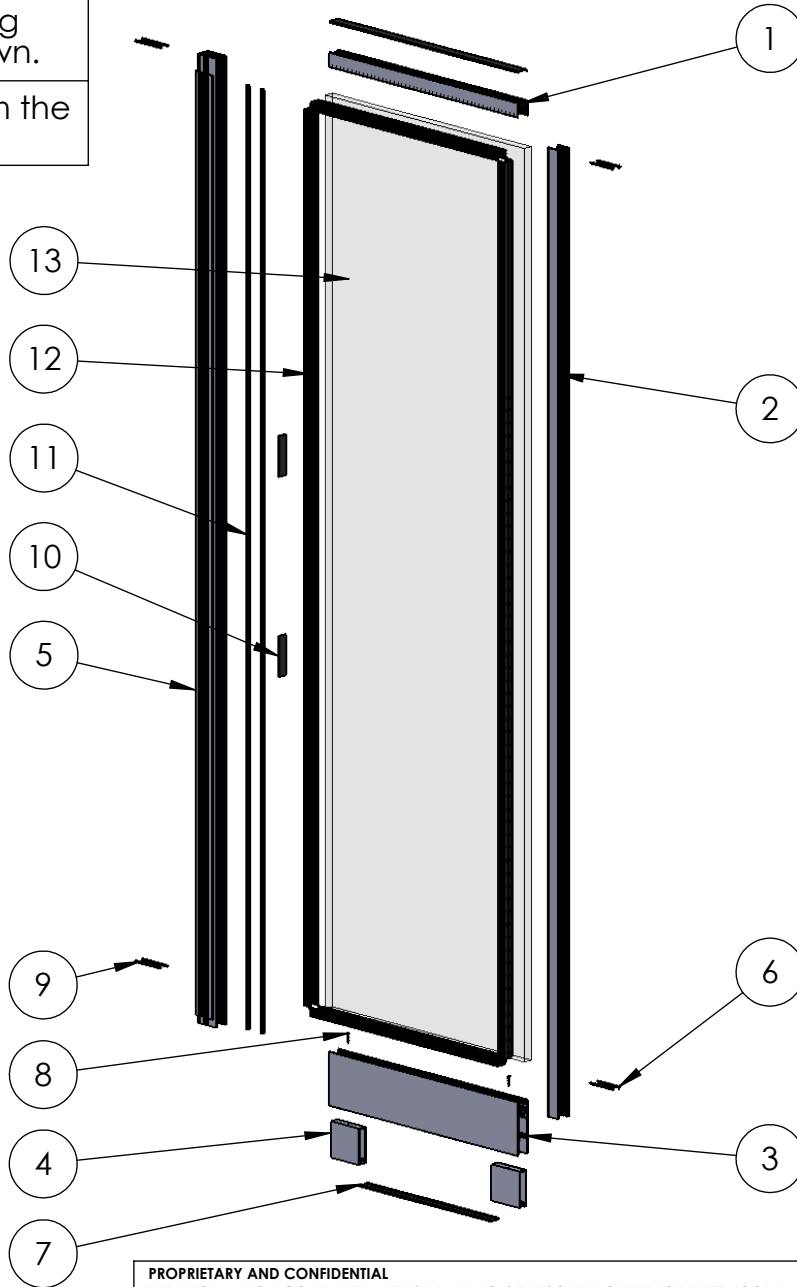
SHEET 3 OF 11

ASSEMBLY / PARTS LIST (B.O.M.)

NOTES:

1: Interior Stacking configuration shown.

2: Panel viewed from the interior.



EXTRUSIONS

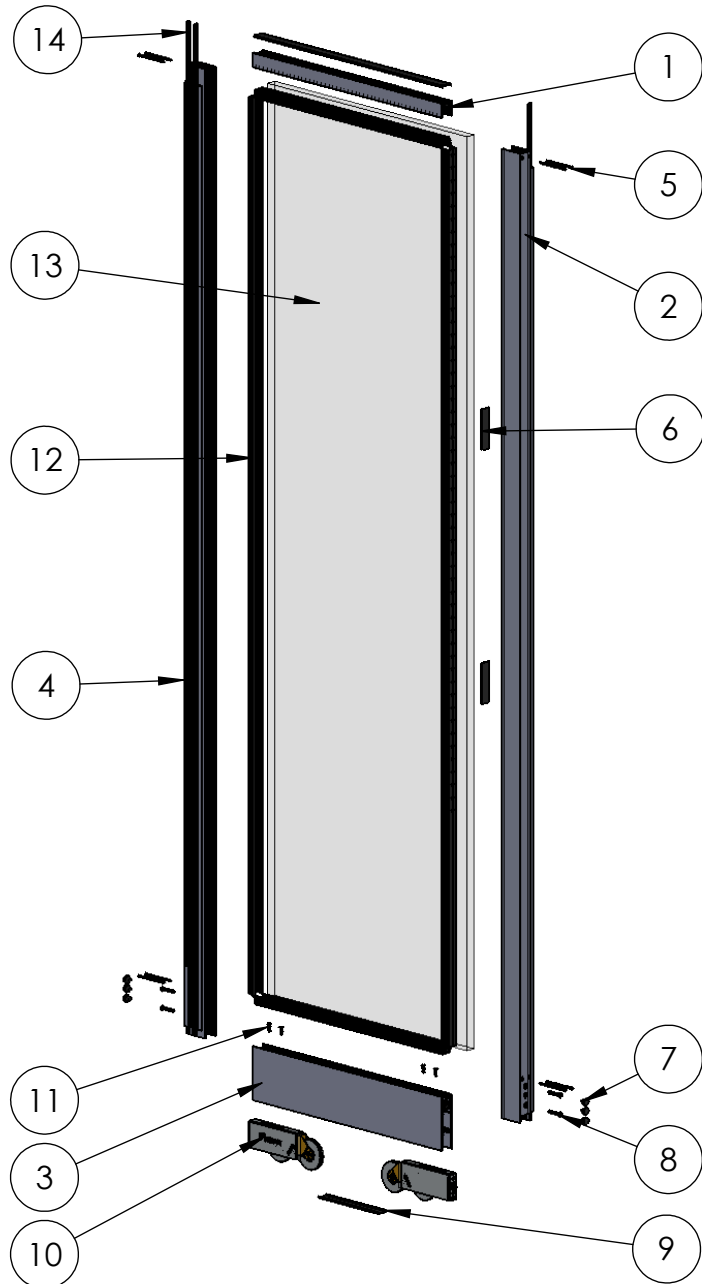
ITEM NO.	PART NUMBER	DESCRIPTION	QTY.
1	3075	Thermal Top Rail DG	1
2	3073	Fixed Stile DG	1
3	3310	Thermal Bottom Rail	1
4	3762	Setting Block - Mammoth Rail, Fixed Panel	2
5	3728	Thermal Interlocker Fixed Assembly	1

HARDWARE

ITEM NO.	PART NUMBER	DESCRIPTION	QTY.
6	20332	#8 PHP - A, 3 in, SS, Clear	4
7	22938	PVC Rail Spreader, BL798	2
8	20293	#10 FHP-A, 1", SS, Clear	2
9	25483	#8 FHP - A, 3.5 in, SS, Clear	4
10	18621	Setting Block (1/8 in x 4 in)	2
11	19117	Large Fin Seal Mohair (29027045BKGB)	2
12	22909	1 inch Glazing Vinyl (Shown)	1
13	-	Glass	1

Description O Panel Assembly	
File Name Series 3070-T, OXXIXX No Screen Assembly	REV
Released 9/15/2017	SHEET 4 OF 11

ASSEMBLY / PARTS LIST (B.O.M.)



EXTRUSIONS

ITEM NO.	PART NUMBER	DESCRIPTION	QTY.
1	3075	Thermal Top Rail DG	1
2	3727	Thermal Interlocker Sliding Assembly	1
3	3310	Thermal Bottom Rail	1
4	3728	Thermal Interlocker Fixed Assembly	1

HARDWARE

ITEM NO.	PART NUMBER	DESCRIPTION	QTY.
5	25483	#8 FHP - A, 3.5 in, SS, Clear	8
6	18621	Setting Block (1/8 in x 4 in)	2
7	20635	Small Round Panel Plug (All Doors)	6
8	25724	1/4-20 PHP - B, 1.5 in, SS, Clear	4
9	22938	PVC Rail Spreader, BL798	2
10	18883	A3 Roller, Precision - Tandem	2
11	20305	1/4-20 FHP - B, 3/4 in, SS Clear	4
12	22909	1 inch Glazing Vinyl (Shown)	1
13	-	Glass	1
14	19117	Large Fin Seal Mohair (29027045BKGB)	3

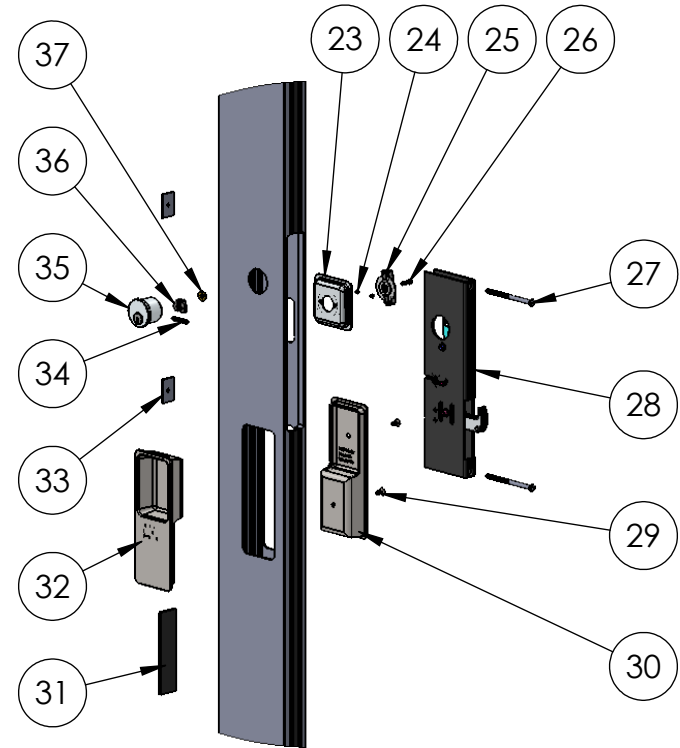
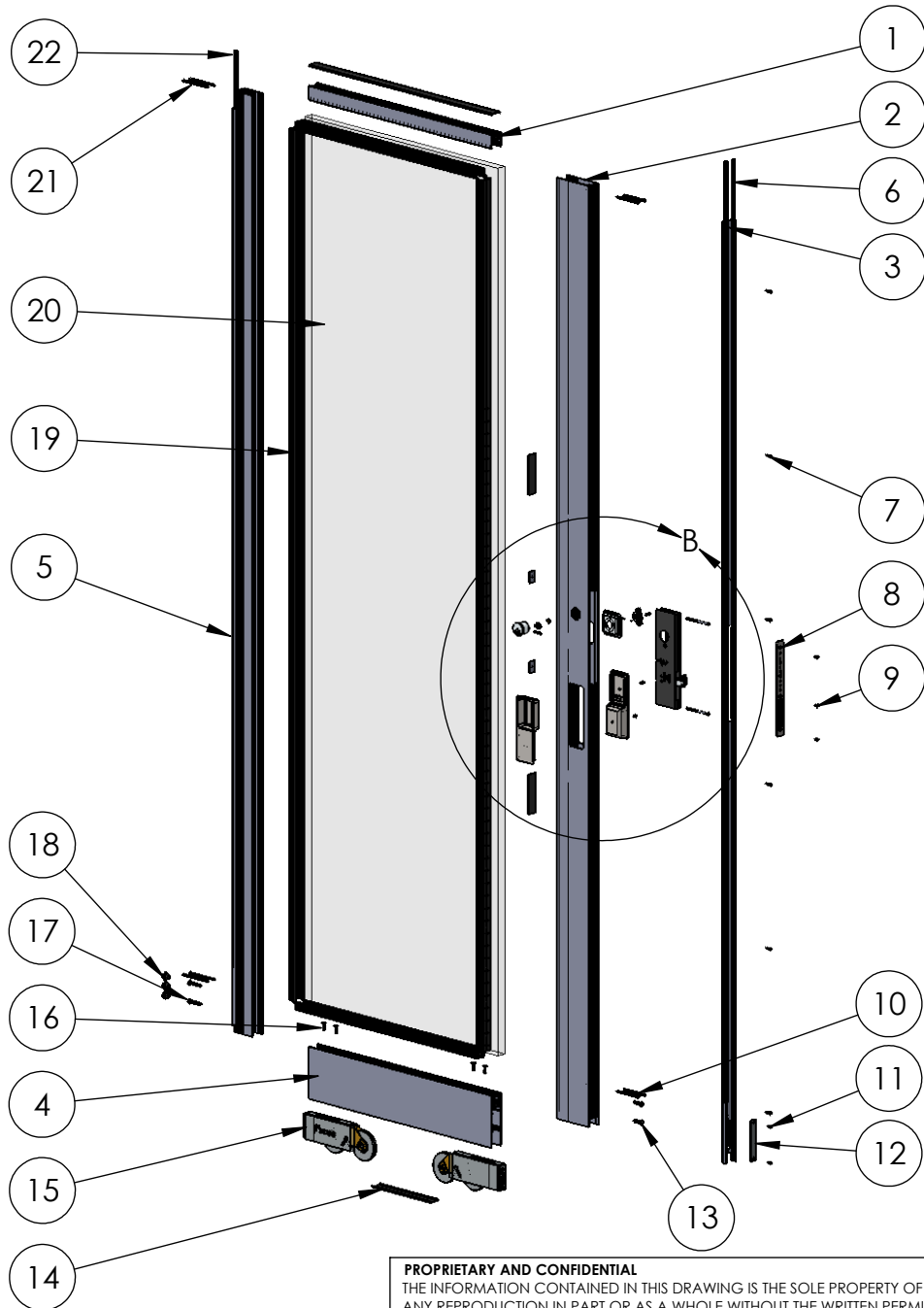
Description
X Panel Assembly (No Latch)

File Name
Series 3070-T, OXXIXX No
Screen Assembly

REV

PROPRIETARY AND CONFIDENTIAL
THE INFORMATION CONTAINED IN THIS DRAWING IS THE SOLE PROPERTY OF FLEETWOOD WINDOWS & DOORS.
ANY REPRODUCTION IN PART OR AS A WHOLE WITHOUT THE WRITTEN PERMISSION OF FLEETWOOD WINDOWS & DOORS IS PROHIBITED.

ASSEMBLY / PARTS LIST (B.O.M.)



PROPRIETARY AND CONFIDENTIAL
THE INFORMATION CONTAINED IN THIS DRAWING IS THE SOLE PROPERTY OF FLEETWOOD WINDOWS & DOORS.
ANY REPRODUCTION IN PART OR AS A WHOLE WITHOUT THE WRITTEN PERMISSION OF FLEETWOOD WINDOWS & DOORS IS PROHIBITED.

Description X Panel Assembly (XI)	
File Name Series 3070-T, OXXIXX No Screen Assembly	REV
Released 9/15/2017	SHEET 6 OF 11

ASSEMBLY / PARTS LIST (B.O.M.)

EXTRUSIONS			
ITEM NO.	PART NUMBER	DESCRIPTION	QTY.
1	3075	Thermal Top Rail DG	1
2	3776	Thermal Lock Stile (Archetype)	1
3	3040	Female Yoke	1
4	3310	Thermal Bottom Rail	1
5	3727	Thermal Interlocker Sliding Assembly	1
HARDWARE			
ITEM NO.	PART NUMBER	DESCRIPTION	QTY.
6	19118	Small Fins Seal Mohair (23027045BKGB)	2
7	20314	#8 PHP-A Screw, .75 in, SS, Clear	VARIES
8	24075	117-311, Archetype Primary Latch(Face) Plate, Cover	1
9	24076	#8-32 FHS, 3/8" Long, Hex Countersunk Screw (Stainless Steel)	3
10	20332	#8 PHP - A, 3 in, SS, Clear	4
11	20240	#8 FHP - A - UC, .5 in, SS, Clear	2
12	25035	Meeting Stile Bumper Cover Plate	1
13	20359	1/4-20 PHP - B, 1 in, SS, Clear	2
14	22938	PVC Rail Spreader, BL798	2
15	18883	A3 Roller, Precision - Tandem	2
16	20305	1/4-20 FHP - B, 3/4 in, SS Clear	4
17	25724	1/4-20 PHP - B, 1.5 in, SS, Clear	2
18	20635	Small Round Panel Plug (All Doors)	3
19	22909	1 inch Glazing Vinyl (Shown)	1
20	-	Glass	1
21	25483	#8 FHP - A, 3.5 in, SS, Clear	4
22	19117	Large Fin Seal Mohair (29027045BKGB)	1
23	24765	Archetype Actuator Pocket, OX, SS	1

HARDWARE			
ITEM NO.	PART NUMBER	DESCRIPTION	QTY.
24	24074	#4-40 FHP, UC, 1/8", SS, Clear	2
25	24079, 24766	Archetype Actuator (Black, SS)	1
26	24072, 24094	#6-32, Hex Socket Head Cap, Self Locking, 1/2", SS (Clear, Black)	1
27	25729	#10-32 FHP, 3, SS, Clear	2
28	24070	OX Primary Latch	1
29	26049, 25325	#8-32 FHS - B, 0.375 in, SS, (Clear, Black)	2
30	24089, 24091	Archetype Handle, Inside, with Gasket (117-338)	1
31	18621	Setting Block (1/8 in x 4 in)	2
32	24090, 24092	Archetype Handle, Outside, with Gasket (117-338)	1
33	18671	Back Up Plate # 10-32 x 0.075 Thk.	2
34	24935	#8-32 x 1 Set Screw (Reg. Arch. Cyl.)	1
35	25356, 24782	Archetype Keyed Cylinder (SS) (KA,KD) (with Cam/Bushing/Screw)	1
36	24780	Cam - (for the Archetype Key Cylinder)	1
37	24781	Brass Bushing - Key Cylinder Reg. Arch.	1

Description
X Panel Assembly (XI) B.O.M.

File Name
Series 3070-T, OXXIXX No
Screen Assembly

REV

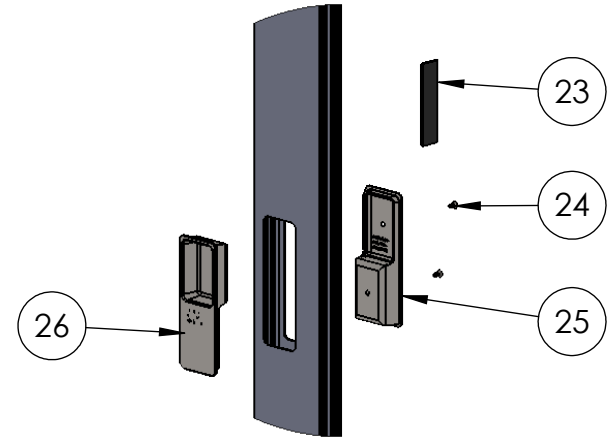
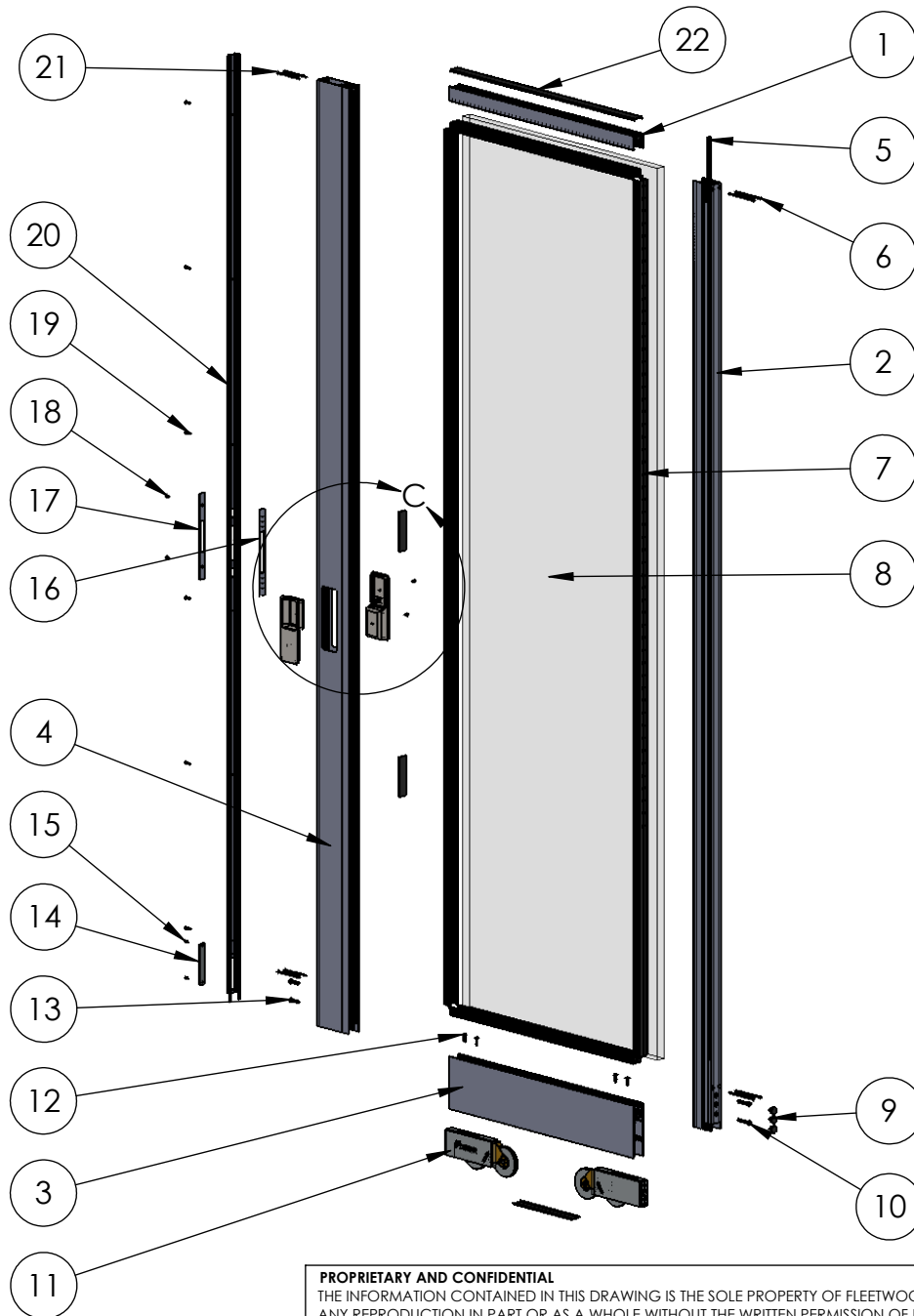
PROPRIETARY AND CONFIDENTIAL

THE INFORMATION CONTAINED IN THIS DRAWING IS THE SOLE PROPERTY OF FLEETWOOD WINDOWS & DOORS.
ANY REPRODUCTION IN PART OR AS A WHOLE WITHOUT THE WRITTEN PERMISSION OF FLEETWOOD WINDOWS & DOORS IS PROHIBITED.

Released 9/15/2017

SHEET 7 OF 11

ASSEMBLY / PARTS LIST (B.O.M.)



DETAIL C
 SCALE 1:9

PROPRIETARY AND CONFIDENTIAL
 THE INFORMATION CONTAINED IN THIS DRAWING IS THE SOLE PROPERTY OF FLEETWOOD WINDOWS & DOORS.
 ANY REPRODUCTION IN PART OR AS A WHOLE WITHOUT THE WRITTEN PERMISSION OF FLEETWOOD WINDOWS & DOORS IS PROHIBITED.

Description X Panel Assembly (IX)	
File Name Series 3070-T, OXXIXX No Screen Assembly	REV
Released 9/15/2017	SHEET 8 OF 11

ASSEMBLY / PARTS LIST (B.O.M.)

EXTRUSIONS

ITEM NO.	PART NUMBER	DESCRIPTION	QTY.
1	3075	Thermal Top Rail DG	1
2	3727	Thermal Interlock Sliding Assembly	1
3	3310	Thermal Bottom Rail	1
4	3776	Thermal Lock Stile (Archetype)	1

HARDWARE

ITEM NO.	PART NUMBER	DESCRIPTION	QTY.
5	19117	Large Fin Seal Mohair (29027045BKGB)	1
6	25483	#8 FHP - A, 3.5 in, SS, Clear	4
7	22909	1 inch Glazing Vinyl (Shown)	1
8	-	Glass	1
9	20635	Small Round Panel Plug (All Doors)	3
10	25724	1/4-20 PHP - B, 1.5 in, SS, Clear	2
11	18883	A3 Roller, Precision - Tandem	2
12	20305	1/4-20 FHP - B, 3/4 in, SS Clear	4
13	20359	1/4-20 PHP - B, 1 in, SS, Clear	2
14	25035	Meeting Stile Bumper Cover Plate	1
15	20240	#8 FHP - A - UC, .5 in, SS, Clear	2
16	24981	Strike Backup Plate, Meeting Stile	1
17	24980	Strike Plate, Meeting Stile	1
18	20266	Screw No.10-32, Flat Undercut Head Phil.,0.375 In	2

HARDWARE

ITEM NO.	PART NUMBER	DESCRIPTION	QTY.
19	20314	#8 PHP-A Screw, .75 in, SS, Clear	6
20	3039	Male Yoke	1
21	20332	#8 PHP - A, 3 in, SS, Clear	4
22	22938	PVC Rail Spreader, BL798	2
23	18621	Setting Block (1/8 in x 4 in)	2
24	26049, 25325	#8-32 FHS - B, 0.375 in, SS, (Clear, Black)	2
25	24089, 24091	Archetype Handle, Inside, with Gasket (117-338)	1
26	24090, 24092	Archetype Handle, Outside, with Gasket (117-338)	1

Description
X Panel Assembly (IX) B.O.M.

File Name
Series 3070-T, OXXIXX No
Screen Assembly

REV

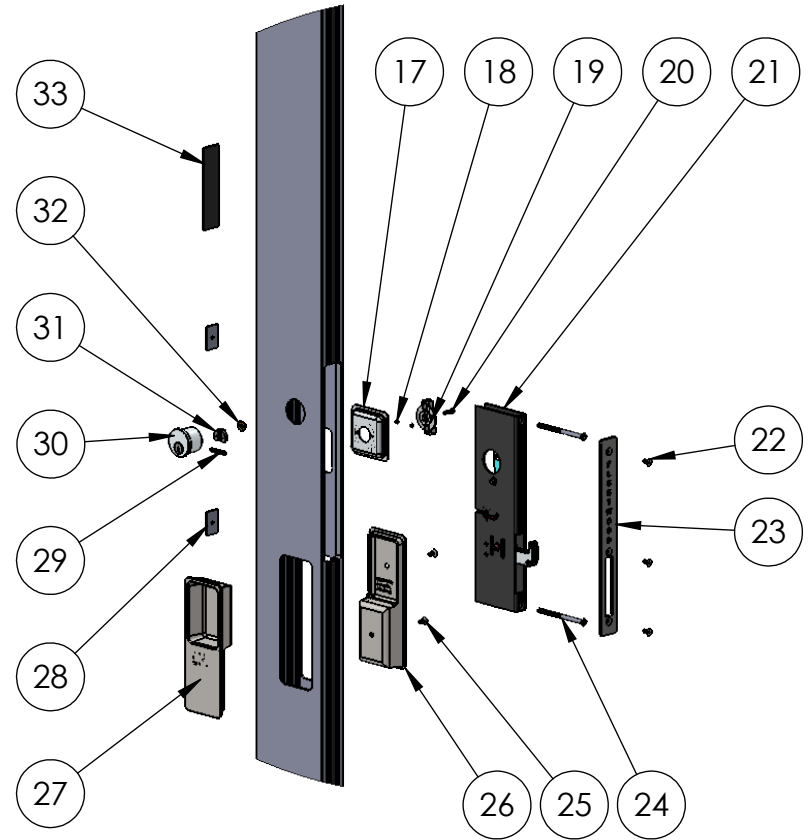
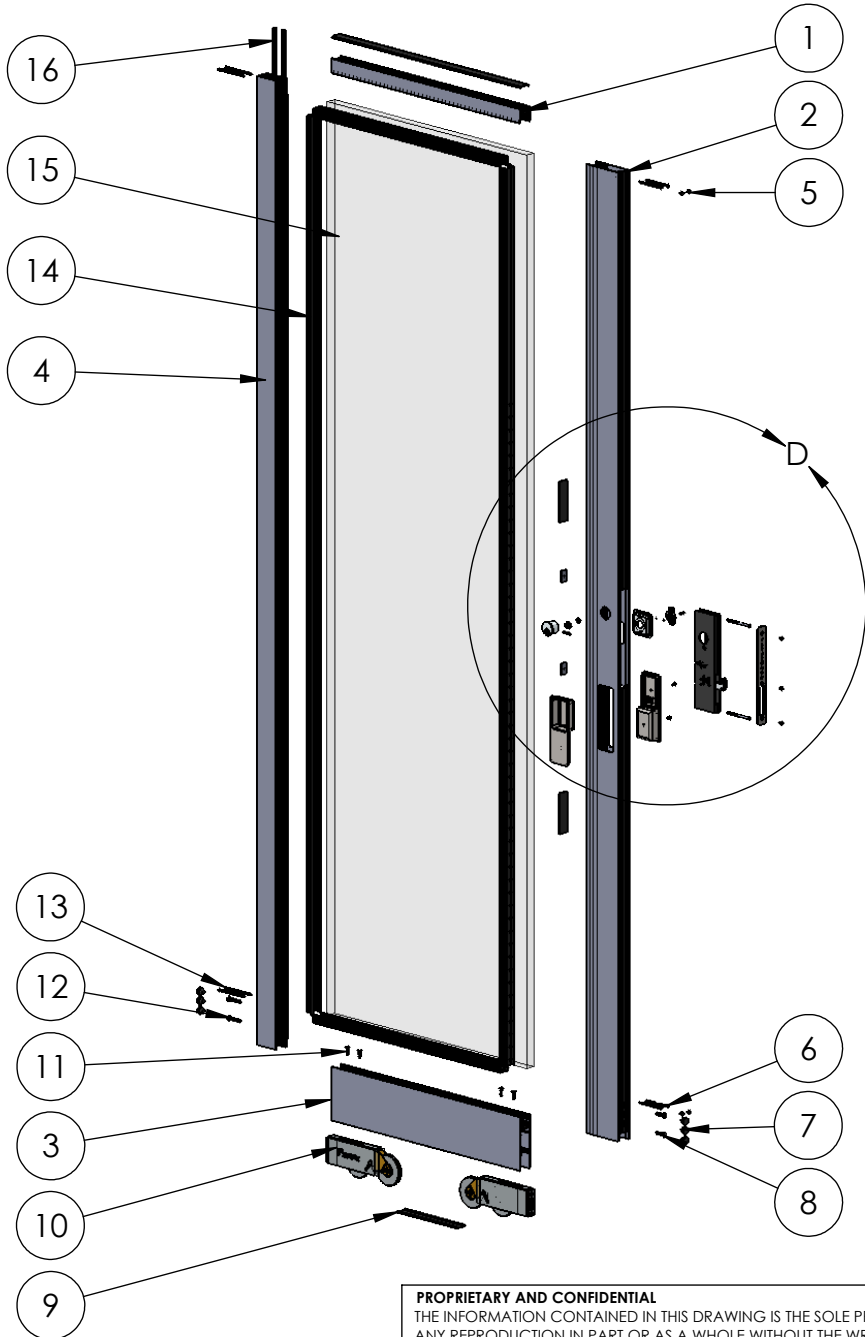
PROPRIETARY AND CONFIDENTIAL

THE INFORMATION CONTAINED IN THIS DRAWING IS THE SOLE PROPERTY OF FLEETWOOD WINDOWS & DOORS.
ANY REPRODUCTION IN PART OR AS A WHOLE WITHOUT THE WRITTEN PERMISSION OF FLEETWOOD WINDOWS & DOORS IS PROHIBITED.

Released 9/15/2017

SHEET 9 OF 11

ASSEMBLY / PARTS LIST (B.O.M.)



DETAIL D
SCALE 1:9

PROPRIETARY AND CONFIDENTIAL
THE INFORMATION CONTAINED IN THIS DRAWING IS THE SOLE PROPERTY OF FLEETWOOD WINDOWS & DOORS.
ANY REPRODUCTION IN PART OR AS A WHOLE WITHOUT THE WRITTEN PERMISSION OF FLEETWOOD WINDOWS & DOORS IS PROHIBITED.

Description X Panel Assembly (OX)	
File Name Series 3070-T, OXXIXX No Screen Assembly	REV
Released	9/15/2017
SHEET 10 OF 11	

ASSEMBLY / PARTS LIST (B.O.M.)

EXTRUSIONS			
ITEM NO.	PART NUMBER	DESCRIPTION	QTY.
1	3075	Thermal Top Rail DG	1
2	3776	Thermal Lock Stile (Archetype)	1
3	3310	Thermal Bottom Rail	1
4	3728	Thermal Interlocker Fixed Assembly	1

HARDWARE			
ITEM NO.	PART NUMBER	DESCRIPTION	QTY.
5	25907	Thermal Plug	4
6	20332	#8 PHP - A, 3 in, SS, Clear	4
7	20635	Small Round Panel Plug (All Doors)	6
8	20359	1/4-20 PHP - B, 1 in, SS, Clear	2
9	22938	PVC Rail Spreader, BL798	2
10	18883	A3 Roller, Precision - Tandem	2
11	20305	1/4-20 FHP - B, 3/4 in, SS Clear	4
12	25724	1/4-20 PHP - B, 1.5 in, SS, Clear	2
13	25483	#8 FHP - A, 3.5 in, SS, Clear	4
14	22909	1 inch Glazing Vinyl (Shown)	1
15	-	Glass	1
16	19117	Large Fin Seal Mohair (29027045BKGB)	2
17	24765	Archetype Actuator Pocket, OX, SS	1
18	24074	#4-40 FHP, UC, 1/8", SS, Clear	2
19	24079, 24766	Archetype Actuator (Black, SS)	1
20	24072, 24094	#6-32, Hex Socket Head Cap, Self Locking, 1/2", SS (Clear, Black)	1

HARDWARE			
ITEM NO.	PART NUMBER	DESCRIPTION	QTY.
21	24070	OX Primary Latch	1
22	24076	#8-32 FHS, 3/8" Long, Hex Countersunk Screw (Stainless Steel)	3
23	24075	117-311, Archetype Primary Latch(Face) Plate, Cover	1
24	25729	#10-32 FHP, 3, SS, Clear	2
25	26049, 25325	#8-32 FHS - B, 0.375 in, SS, (Clear, Black)	2
26	24089, 24091	Archetype Handle, Inside, with Gasket (117-338)	1
27	24090, 24092	Archetype Handle, Outside, with Gasket (117-338)	1
28	18671	Back Up Plate # 10-32 x 0.075 Thk.	2
29	24935	#8-32 x 1 Set Screw (Reg. Arch. Cyl.)	1
30	25356, 24782	Archetype Keyed Cylinder (SS) (KA,KD) (with Cam/Bushing/Screw)	1
31	24780	Cam - (for the Archetype Key Cylinder)	1
32	24781	Brass Bushing - Key Cylinder Reg. Arch.	1
33	18621	Setting Block (1/8 in x 4 in)	2

Description X Panel Assembly (OX) B.O.M.	
File Name Series 3070-T, OXXIXX No Screen Assembly	REV
Released 9/15/2017	SHEET 11 OF 11

PROPRIETARY AND CONFIDENTIAL
THE INFORMATION CONTAINED IN THIS DRAWING IS THE SOLE PROPERTY OF FLEETWOOD WINDOWS & DOORS.
ANY REPRODUCTION IN PART OR AS A WHOLE WITHOUT THE WRITTEN PERMISSION OF FLEETWOOD WINDOWS & DOORS IS PROHIBITED.