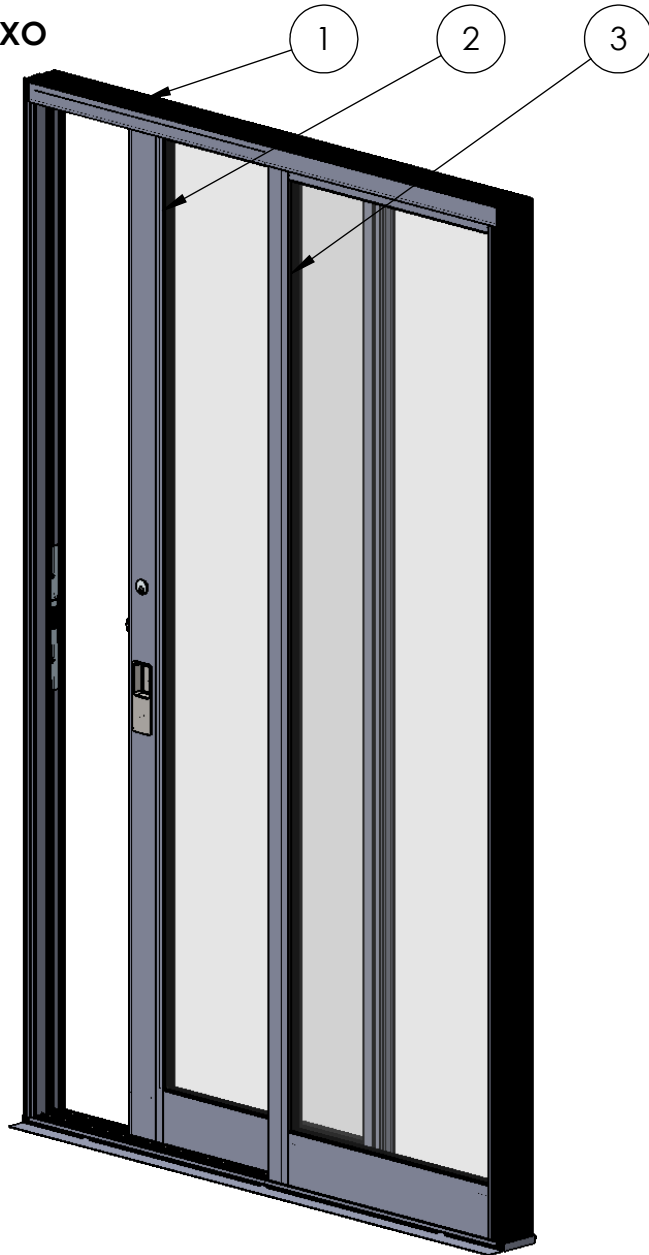


# ASSEMBLY / PARTS LIST (B.O.M.)

**SERIES: 3070-T**  
**CONFIGURATION: XO**

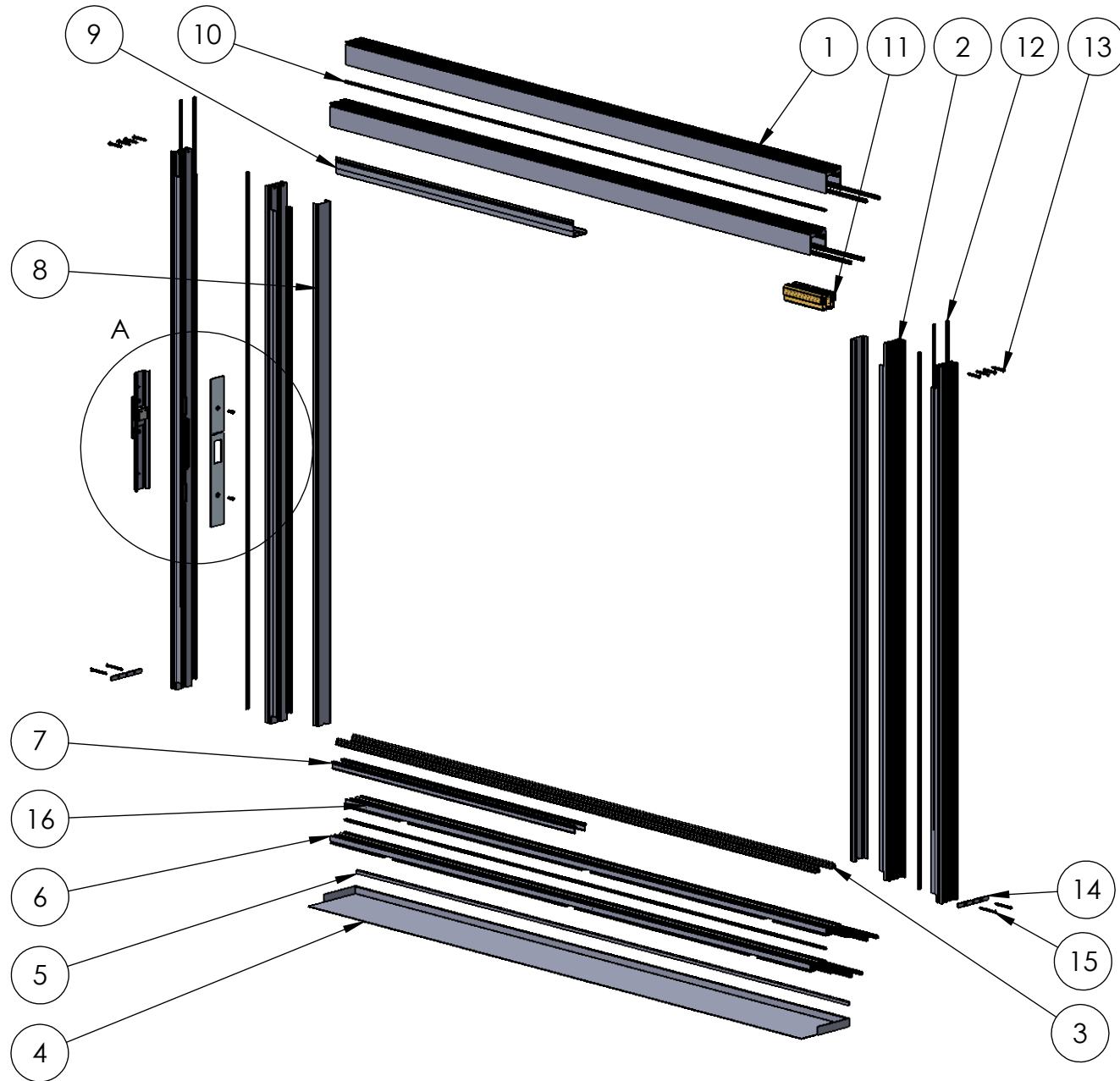


ITEM NO.	DESCRIPTION	PAGE #
1	XO Frame Assembly	2
2	X Panel Assembly	3-4
3	O Panel Assembly	5

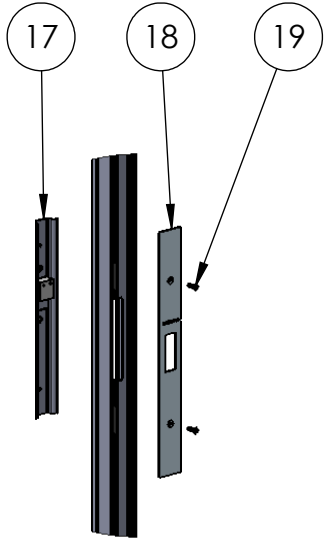
Description Table of Contents	
File Name Series 3070-T, XO No Screen Assembly	REV
Released 9/5/2017	SHEET 1 OF 6

**PROPRIETARY AND CONFIDENTIAL**  
 THE INFORMATION CONTAINED IN THIS DRAWING IS THE SOLE PROPERTY OF FLEETWOOD WINDOWS & DOORS.  
 ANY REPRODUCTION IN PART OR AS A WHOLE WITHOUT THE WRITTEN PERMISSION OF FLEETWOOD WINDOWS & DOORS IS PROHIBITED.

# ASSEMBLY / PARTS LIST (B.O.M.)



NOTES:  
 1: Frame Assembly scaled down to show detail.



DETAIL A  
 SCALE: 1:10

**PROPRIETARY AND CONFIDENTIAL**  
 THE INFORMATION CONTAINED IN THIS DRAWING IS THE SOLE PROPERTY OF FLEETWOOD WINDOWS & DOORS.  
 ANY REPRODUCTION IN PART OR AS A WHOLE WITHOUT THE WRITTEN PERMISSION OF FLEETWOOD WINDOWS & DOORS IS PROHIBITED.

Description XO Frame Assembly	
File Name Series 3070-T, XO No Screen Assembly	REV
Released	9/5/2017
SHEET 2 OF 6	



# ASSEMBLY / PARTS LIST (B.O.M.)

## EXTRUSIONS

ITEM NO.	PART NUMBER	DESCRIPTION	QTY.
1	3700	Head 1-Track Assembly	2
2	3711	Jamb 1-Track Assembly	4
3	FW1020	Standard Stainless Steel Track Insert .5625	2
4	3720	Sill Pan	1
5	FW1076	Sillpan Hem Cover	1
6	3749	Thermal Sill 1-Track Assembly	2
7	3747	Sill Filler	2
8	3710	Jamb Filler	2
9	3014	Head Filler/Closer	1

## HARDWARE

ITEM NO.	PART NUMBER	DESCRIPTION	QTY.
10	23025	MS Track Joiner	4
11	24101	Honeycomb Head Bumper	1
12	25757	Q-Lon Foam Seal (Q200T270)	4
13	20353	#10 PHP - A, 1.5 in, SS, Clear	8
14	25186	Rectangular Washer	4
15	20258	#8 FHP - A, 2 in, SS, Clear	4
16	19118	Small Fin Seal Mohair (23027045BKGB)	12
17	24790	Backup Plate Assembly	1
18	24067	Strike Plate	1
19	20278	#10-32 FHP-B-UC Screw, 0.5625 in, SS, Clear	2

Description  
XO Frame Assembly B.O.M.

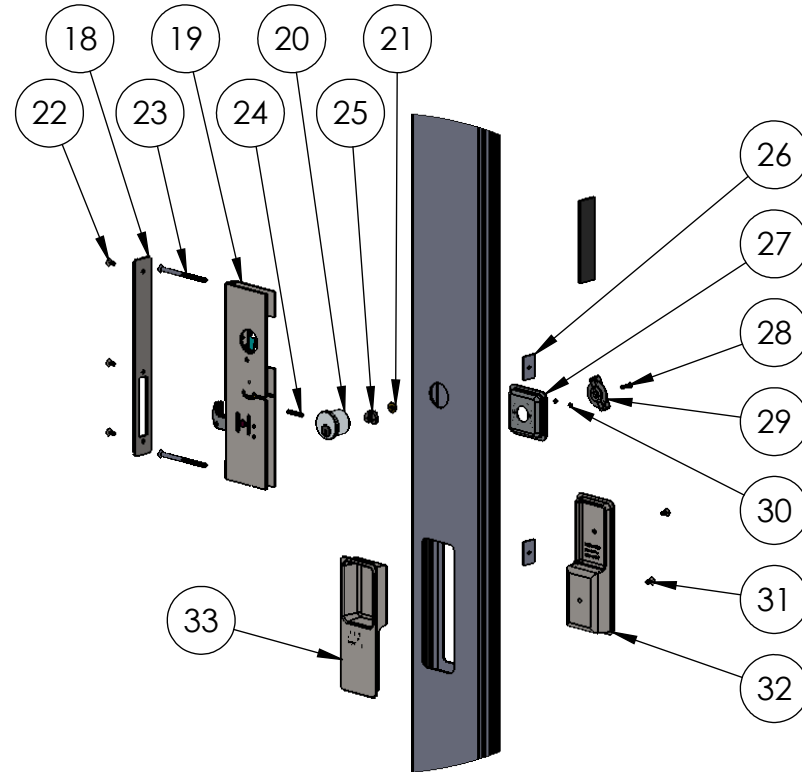
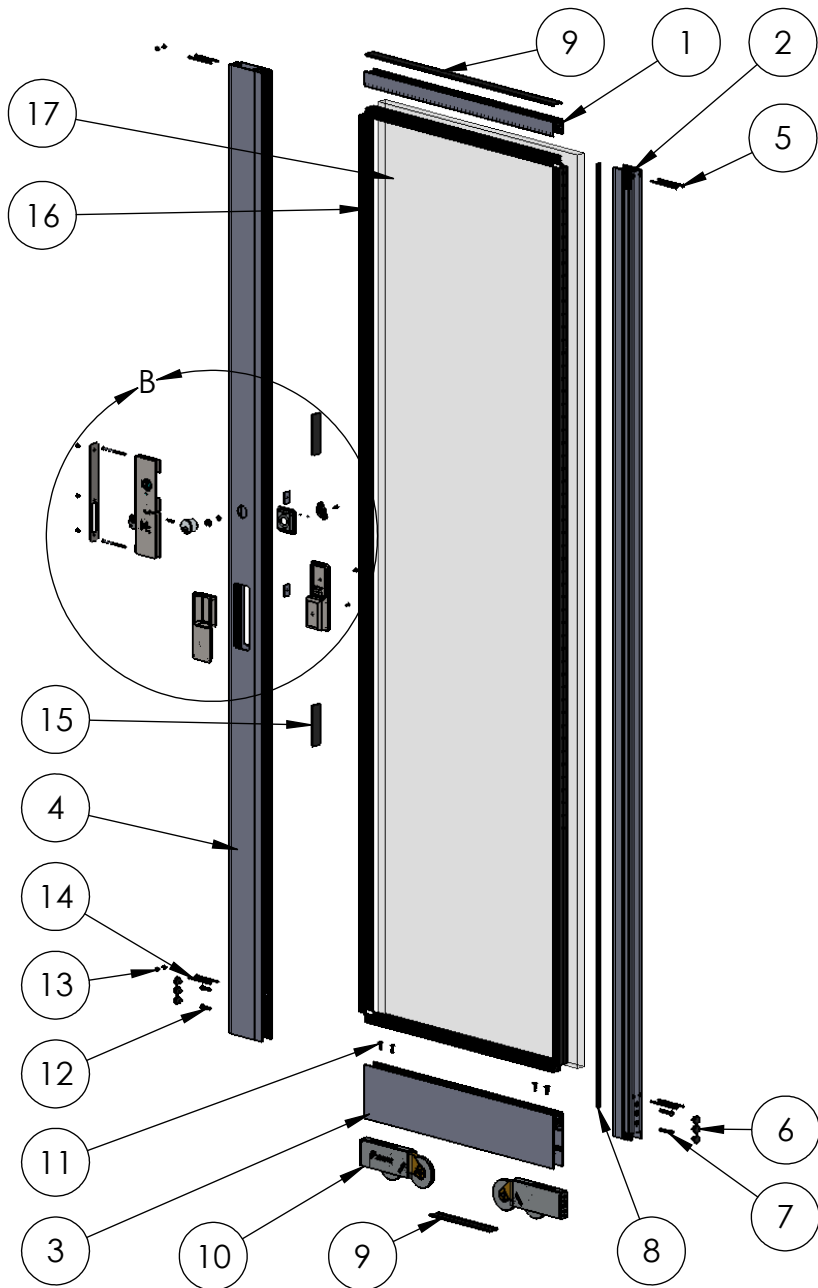
File Name Series 3070-T, XO No Screen Assembly	REV
--	-----

**PROPRIETARY AND CONFIDENTIAL**

THE INFORMATION CONTAINED IN THIS DRAWING IS THE SOLE PROPERTY OF FLEETWOOD WINDOWS & DOORS. ANY REPRODUCTION IN PART OR AS A WHOLE WITHOUT THE WRITTEN PERMISSION OF FLEETWOOD WINDOWS & DOORS IS PROHIBITED.

Released	9/5/2017	SHEET 3 OF 6
----------	----------	--------------

# ASSEMBLY / PARTS LIST (B.O.M.)



DETAIL B  
 SCALE: 1:9

**PROPRIETARY AND CONFIDENTIAL**  
 THE INFORMATION CONTAINED IN THIS DRAWING IS THE SOLE PROPERTY OF FLEETWOOD WINDOWS & DOORS.  
 ANY REPRODUCTION IN PART OR AS A WHOLE WITHOUT THE WRITTEN PERMISSION OF FLEETWOOD WINDOWS & DOORS IS PROHIBITED.

Description X Panel Assembly	
File Name Series 3070-T, XO No Screen Assembly	REV
Released 9/5/2017	SHEET 4 OF 6

# ASSEMBLY / PARTS LIST (B.O.M.)

## EXTRUSIONS

ITEM NO.	PART NUMBER	DESCRIPTION	QTY.
1	3075	Thermal Top Rail DG	1
2	3727	Thermal Interlock Sliding Assembly	1
3	3310	Thermal Bottom Rail	1
4	3776	Thermal Lock Stile (Archetype)	1

## HARDWARE

ITEM NO.	PART NUMBER	DESCRIPTION	QTY.
5	25483	#8 FHP - A, 3.5 in, SS, Clear	4
6	20635	Small Round Panel Plug (All Doors)	6
7	25724	1/4-20 PHP - B, 1.5 in, SS, Clear	2
8	19117	Large Fin Seal Mohair (29027045BKGB)	1
9	22938	PVC Rail Spreader, BL798	2
10	18883	A3 Roller, Precision - Tandem	2
11	20305	1/4-20 FHP - B, 3/4 in, SS Clear	4
12	20359	1/4-20 PHP - B, 1 in, SS, Clear	2
13	25907	Thermal Plug	4
14	20332	#8 PHP - A, 3 in, SS, Clear	4
15	18621	Setting Block (1/8 in x 4 in)	2
16	22909	1 inch Glazing Vinyl (Shown)	1
17	-	Glass	1
18	24075	117-311, Archetype Primary Latch(Face) Plate, Cover	1
19	24077	Archetype XO Primary Latch, RH Latch	1
20	25356, 24782	Archetype Keyed Cylinder (SS) (KA,KD) (with Cam/Bushing/Screw)	1
21	24781	Brass Bushing - Key Cylinder Reg. Arch.	1
22	24076	#8-32 FHS, 3/8" Long, Hex Countersunk Screw (Stainless Steel)	3

## EXTRUSIONS

ITEM NO.	PART NUMBER	DESCRIPTION	QTY.
23	25729	#10-32 FHP, 3, SS, Clear	2
24	24935	#8-32 x 1" Set Screw ( Reg. arch. Cyl. )	1
25	24780	Cam - (for the Archetype Key Cylinder)	1
26	18671	Back Up Plate # 10-32 x 0.075 Thk.	2
27	24767	Archetype Actuator Pocket, XO, SS	1
28	24072, 24094	#6-32, Hex Socket Head Cap, Self Locking, 1/2", SS (Clear, Black)	1
29	24079, 24766	Archetype Actuator (Black, SS)	1
30	24074	#4-40 FHP, UC, 1/8", SS, Clear	2
31	26049, 25325	#8-32 FHS - B, 0.375 in, SS, (Clear, Black)	2
32	24089, 24091	Archetype Handle, Inside, with Gasket (117-338)	1
33	24090, 24092	Archetype Handle, Outside, with Gasket (117-338)	1

Description  
X Panel Assembly B.O.M.

File Name  
Series 3070-T, XO No  
Screen Assembly

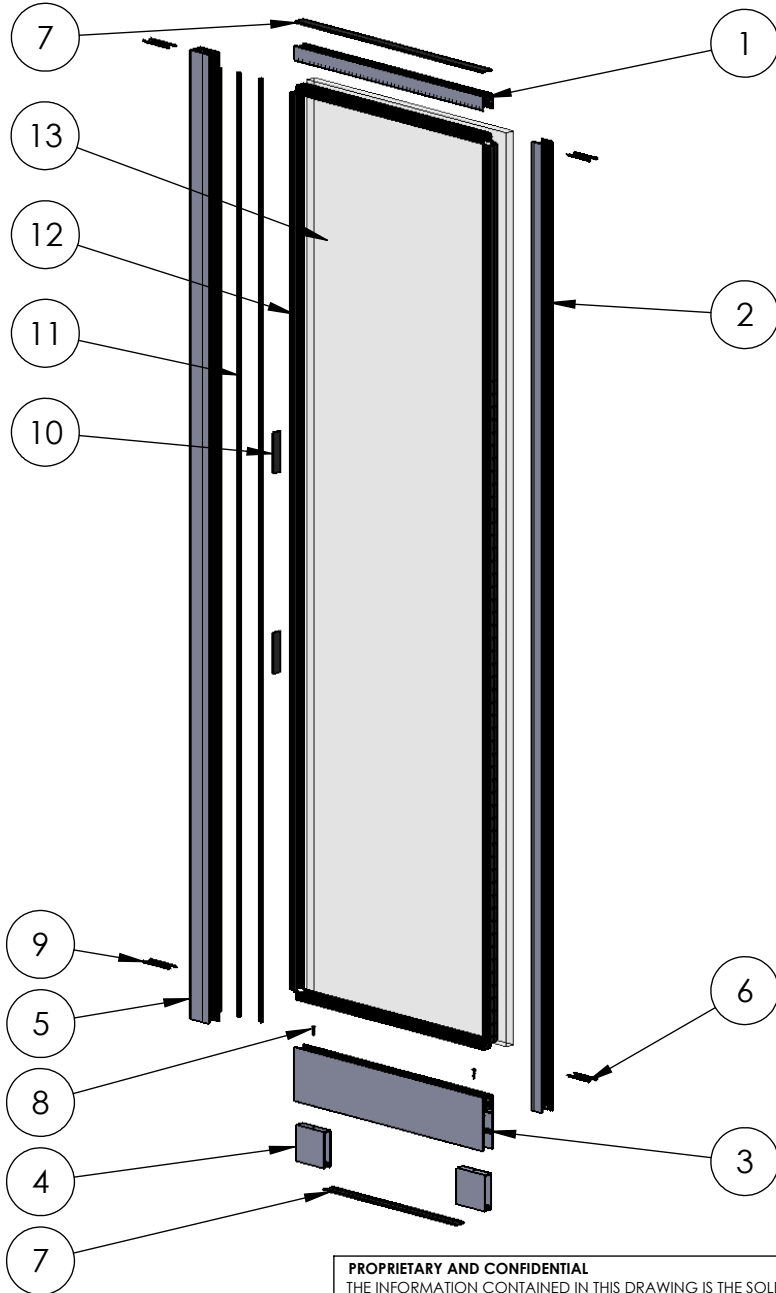
REV

Released 9/5/2017 SHEET 5 OF 6

**PROPRIETARY AND CONFIDENTIAL**

THE INFORMATION CONTAINED IN THIS DRAWING IS THE SOLE PROPERTY OF FLEETWOOD WINDOWS & DOORS.  
ANY REPRODUCTION IN PART OR AS A WHOLE WITHOUT THE WRITTEN PERMISSION OF FLEETWOOD WINDOWS & DOORS IS PROHIBITED.

# ASSEMBLY / PARTS LIST (B.O.M.)



**PROPRIETARY AND CONFIDENTIAL**  
 THE INFORMATION CONTAINED IN THIS DRAWING IS THE SOLE PROPERTY OF FLEETWOOD WINDOWS & DOORS.  
 ANY REPRODUCTION IN PART OR AS A WHOLE WITHOUT THE WRITTEN PERMISSION OF FLEETWOOD WINDOWS & DOORS IS PROHIBITED.

EXTRUSIONS			
ITEM NO.	PART NUMBER	DESCRIPTION	QTY.
1	3075	Thermal Top Rail DG	1
2	3073	Fixed Stile DG	1
3	3310	Thermal Bottom Rail	1
4	3762	Setting Block - Mammoth Rail, Fixed Panel	2
5	3728	Thermal Interlocker Fixed Assembly	1
HARDWARE			
ITEM NO.	PART NUMBER	DESCRIPTION	QTY.
6	20332	#8 PHP - A, 3 in, SS, Clear	4
7	22938	PVC Rail Spreader, BL798	2
8	20293	#10 FHP-A, 1", SS, Clear	2
9	25483	#8 FHP - A, 3.5 in, SS, Clear	4
10	18621	Setting Block (1/8 in x 4 in)	2
11	19117	Large Fin Seal Mohair (29027045BKGB)	2
12	22909	1 inch Glazing Vinyl (Shown)	1
13	-	Glass	1

Description O Panel Assembly	
File Name Series 3070-T, XO No Screen Assembly	REV
Released 9/5/2017	SHEET 6 OF 6