

FLEETWOOD
 WINDOWS & DOORS
 FleetwoodUSA.com

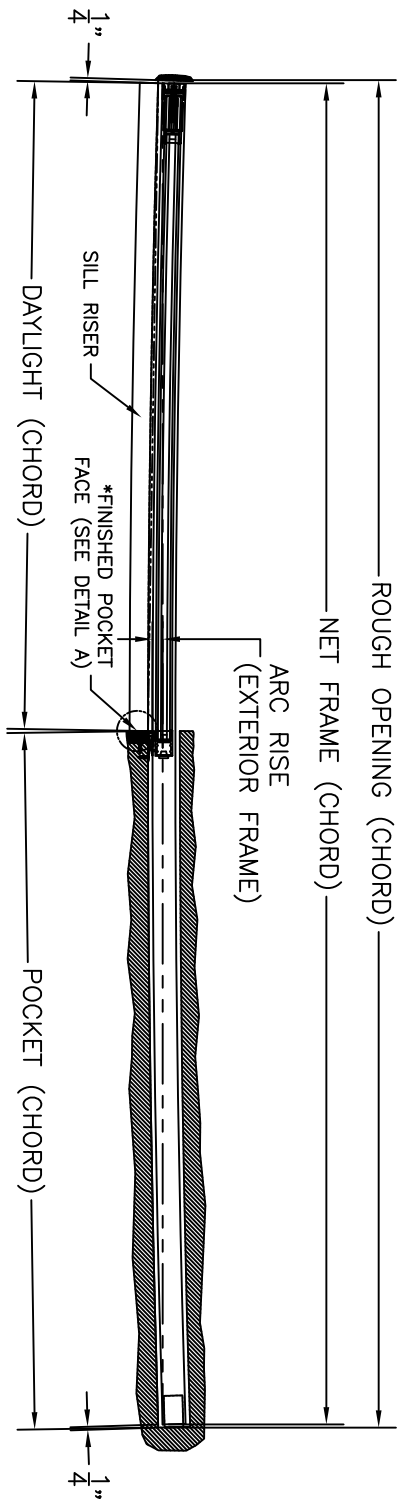
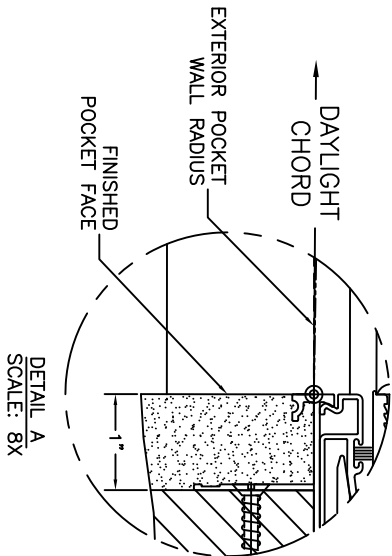
SERIES 3070EX
 CONCEPT LAYOUT

U:\Cadfiles_Admin\Products\3070\Concept_Dwgs

DWG NO.: 3070-C03

DATE: 12/10/14

SCALE: 1:16



*CAUTION: WHEN CONSTRUCTING POCKET NOTE THAT DAYLIGHT WIDTH DOES NOT INCLUDE 1" SET BACK FOR POST INTERLOCKER.

SERIES 3070