

SERIES 3200-T

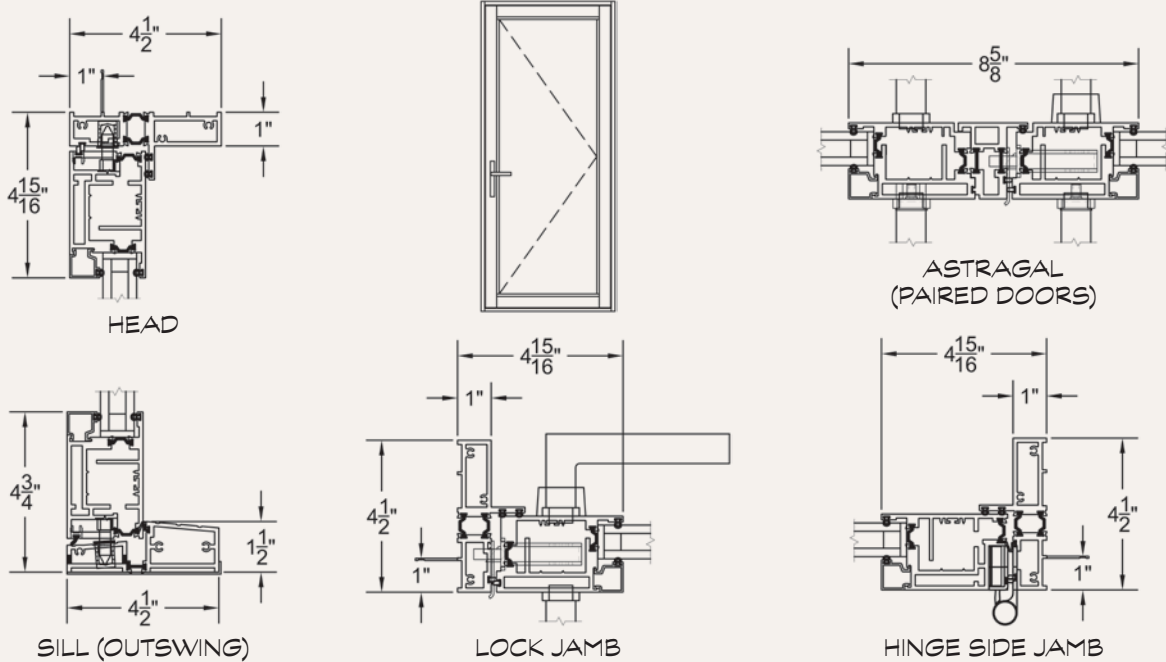
NARROW STYLE "THERMAL FRAME" HINGED DOOR



Photo by Joe Atlas Photography/fjenske architecture

TYPICAL CONFIGURATIONS	← MAX PANEL WIDTH	↑ MAX PANEL HEIGHT	☀ EXAMPLE SHGC	❄ EXAMPLE U-FACTOR
• H, HH, OH, OOH, OHO.	40"	108"	²NFRC: 0.22 ³S.P.A.: 0.25	²NFRC: 0.39 ³S.P.A.: 0.31

ELEVATION VIEW:
H CONFIGURATION



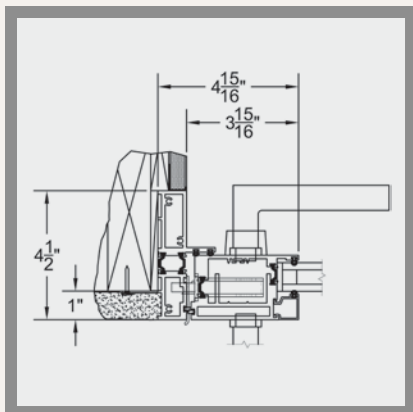
²Specimen size: Nom. 38" x 82".
 ³Simulated Performance Alternative size: 72" x 108" HH using SN68/Argon/Clear/Argon/SN68 triple glazing.





DESIGN NOTES

- Narrow 3-15/16" jamb profile (see Slender Lines, below).
- Adjustable hinges.



Slender Lines:

The Series 3200-T boasts a jamb profile of only 4-15/16". Even better, the jamb was designed for finished walls to bury another 1", leaving a wall-to-glass profile of only 3-15/16" on the handle side and 4-1/16" on the hinge side.



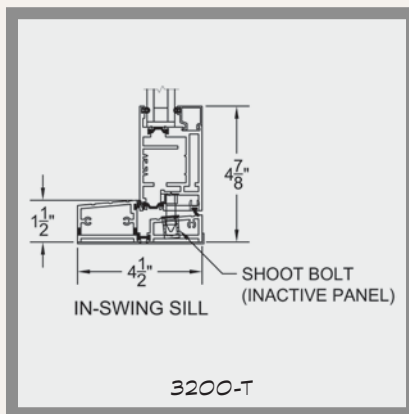
Minimalist Hardware:

The hardware selected for the 3200-T is manufactured in Germany by FSB. The handle plate is a slimmer version of the Series 3900-T plate but uses the same stainless lever so mixing both products is more feasible. The door self latches when closed and is secured with a dead bolt.



Flush Mounted Adjustable Hinges:

Each vent is provided with four adjustable hinges that are mortised into the extrusions (see the cross section on page 19). The top and bottom hinges provide horizontal movement and the two center hinges allow for vertical adjusting.



Inswing Water Performance:

A new threshold was created just for the inswing option (also used on the Series 3900-T door). Notice the geometry guides the water into the trough where it can weep to the exterior.