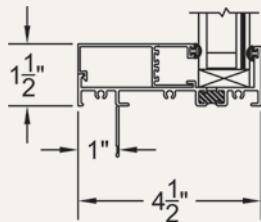




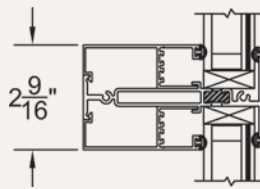
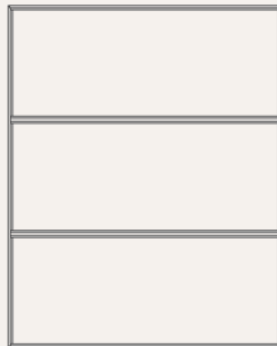
TYPICAL CONFIGURATIONS	DESIGN PRESSURE	MAXIMUM SIZES
<ul style="list-style-type: none"> • 000-GTF, 0/0/0-GTF, 00-GTF, 00/00-GTF 	<p>±50.0 / -50.0 PSF* thru ±65.0 / -65.0 PSF*</p>	<ul style="list-style-type: none"> • Unlimited Inline: 42" max centerline x 96" frame height • Stacked: 42" x 180" frame or 96" x 120" frame • Single Fixed: 60" x 120" frame or 50" x 144" frame • Double or Intersecting: 120" frame width x 120" frame height • Unlimited jamb mulled frames: 60" x 120" panels

ELEVATION VIEW:
000-GTF
CONFIGURATION



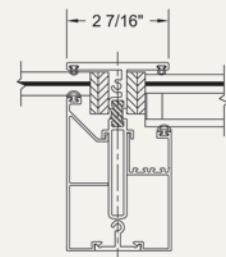
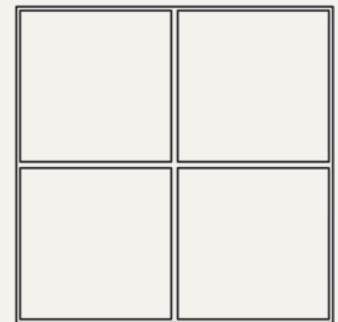
SILL

ELEVATION VIEW:
0/0/0-GTF
CONFIGURATION



HORIZONTAL TDL

ELEVATION VIEW:
00/00-GTF
CONFIGURATION



VERTICAL TDL

*Varies based on configuration.





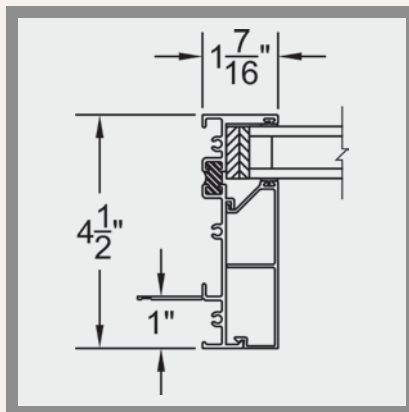
DESIGN NOTES

- Sleek sightlines.
- Design layout freedom.



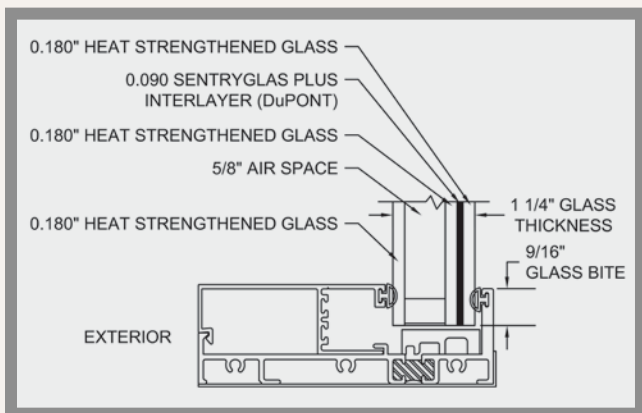
Storefront Design:

Designers want the hard lines seen in typical storefront but shudder at the thought of using commercial products for a variety of reasons. Our Series 3800-T fixed window system is the answer. It has similar designs as storefront but NONE of the downfalls, such as field drilled weep holes.



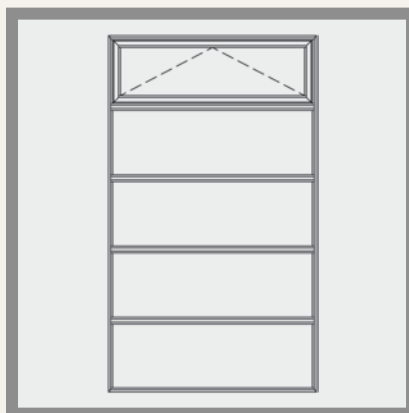
Sleek Sightlines:

The jamb-glass dimension of the Series 3800-T is a slender 1-7/16\".



Glazing Type:

The Series 3800-T was tested and certified using a 1.25" overall insulating laminated glass that includes a DuPont™ SentryGlas® Plus innerlayer.



Window Insert Option:

Series 250-T casements and awnings can be inserted into the Series 3800-T system **in lieu of glass**. The elevation above provides an example configuration. Please see pages 13–14 for additional information and architectural details.