

SERIES 3800-T

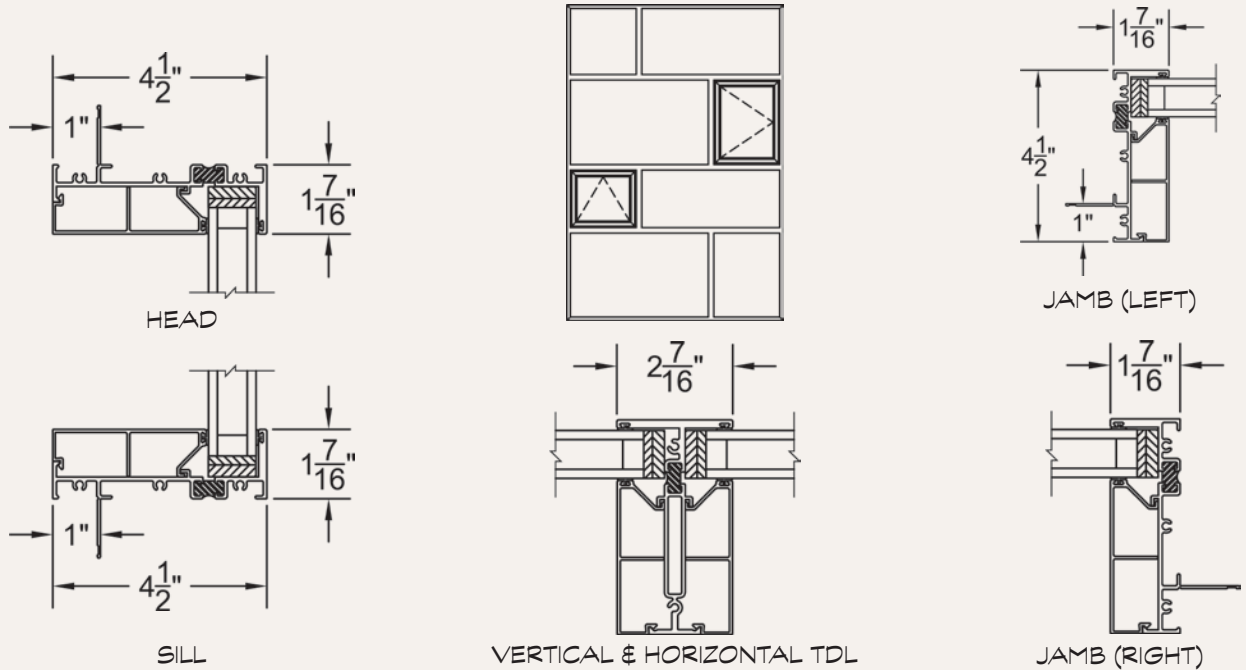
“THERMAL FRAME” WINDOW-WALL



Photo by JoeFletcher.com

TYPICAL CONFIGURATIONS	← MAX PANEL WIDTH	↑ MAX PANEL HEIGHT	☀ EXAMPLE SHGC	❄ EXAMPLE U-FACTOR
<ul style="list-style-type: none"> • Virtually Unlimited. • Optional Inserts (Casement, Awning, Hopper, Sliding, Fixed). 	Determined by Site Wind Loads	Determined by Site Wind Loads	²NFRC: 0.17	²NFRC: 0.24

ELEVATION VIEW:
WINDOW-WALL WITH OPERABLE INSERTS



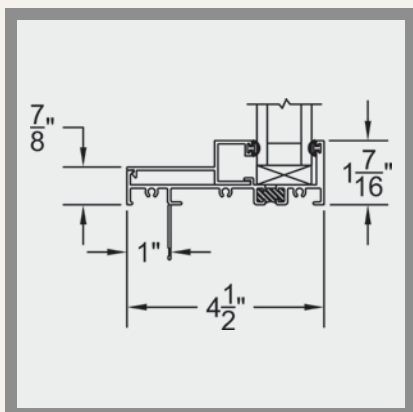
²Specimen size: Nom. 47" x 59".





DESIGN NOTES

- Factory fabricated system.
- Insulated framing.
- Design layout freedom.



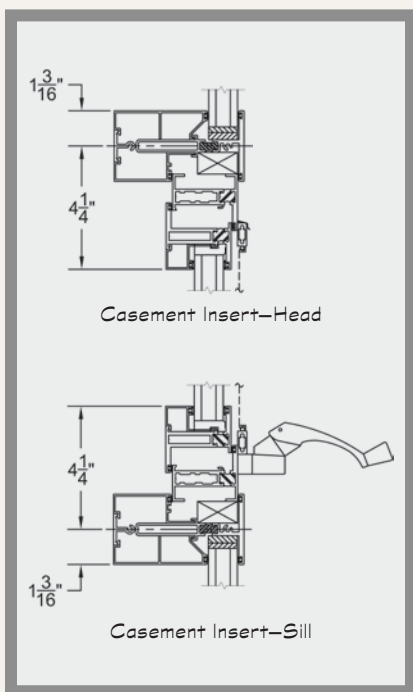
Tiered Glass Stop:

The Series 3800-T now offers a unique design glass stop that accommodates 1-1/4" glazing. The shape transforms the flush presentation to that of a step design (see detail above).



Integral Nail-Fin:

Builders and homeowners can relax knowing their fixed Series 3800-T windows are installed with integral nail-fins. Some fixed products, e.g. storefront, do not have a nail-fin and some products attempt one by attaching a nail-fin. Also, notice in the image above that the 3800-T extrusions are insulated for maximum energy efficiency.



Window Insert Option:

Windows can be inserted into the Series 3800-T system **in lieu of glass**. As seen in the detail above, it is a clean presentation that reduces sight lines compared to typical window-on-frame insertions. The 3800-T also accepts fixed door panel inserts, which allow side lite rails to line up with adjacent sliding doors.



Factory Weep Slots:

Because storefront is fabricated in the field, it lacks the fit and finish required by most homeowners. The Series 3800-T has been laboratory tested against water infiltration and high wind loads. Additionally, the 3800-T has insulated framing and boasts exceptional energy test results.

Fixed systems are also available in all the products listed in the Windows section of this brochure.