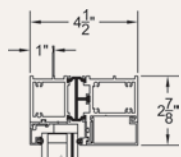




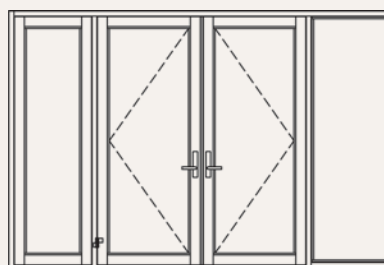
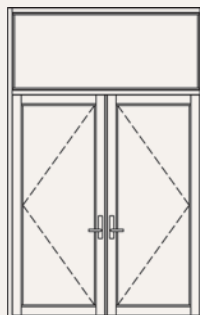
TYPICAL CONFIGURATIONS	DESIGN PRESSURE	MAXIMUM SIZES
<ul style="list-style-type: none"> Hinged, sidelite and transom applications In swing and out swing. 	<p>±50.0 / -50.0 PSF* thru ±65.0 / -65.0 PSF*</p>	<ul style="list-style-type: none"> Hinged with Transom: 108" frame width x 168" frame height Single Hinged Panel: 48" frame width x 120" frame height Pair Hinged Panels: 80" frame width x 120" frame height Sidelite: 45" width x 96" height

ELEVATION VIEW:
O/HH

ELEVATION VIEW:
OHHO

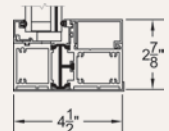


TRANSOM AT HEAD

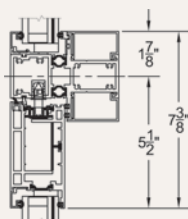


Wide Style
Fixed Lite

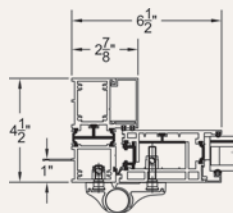
Narrow Style
Fixed Lite



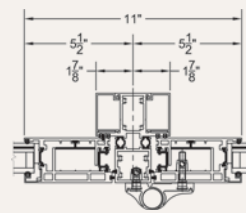
NARROW FIXED AT SILL



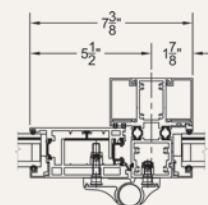
TRANSOM



HINGE AT JAMB



WIDE FIXED AT TDL /
HINGE AT TDL



NARROW FIXED AT TDL /
HINGE AT TDL

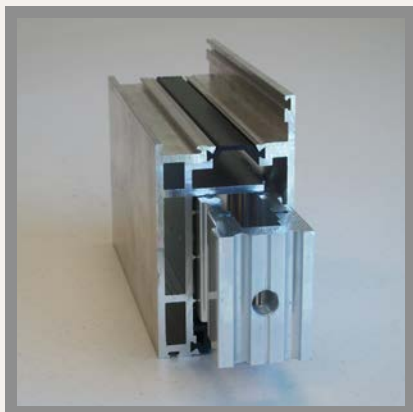
*Varies based on configuration.





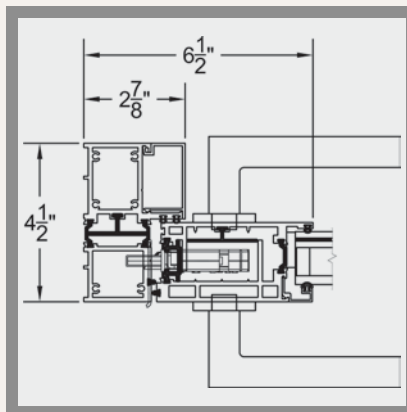
DESIGN NOTES

- Fills openings as large as 12' tall.
- Modern design hinges and hardware.



Corner Strength:

One of the design enhancements of the Series 3900-T is butt joinery instead of mitering, because it offers a look more consistent with modern architecture. In order to achieve this feature, we needed an exceptional corner key. From the image above, you can begin to appreciate the strength of each corner as you consider the mass of the key. The wall thickness exceeds 5/16" in most locations and penetrates 4-1/4".



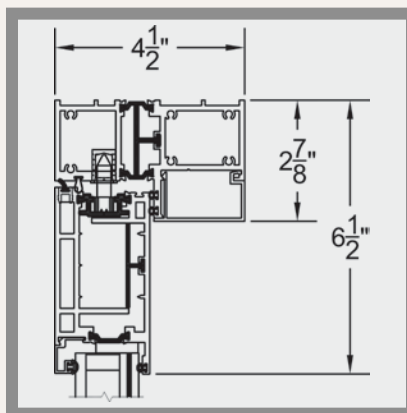
Sleeker Sightline:

Take note of the “boxy” theme for all extrusions in the Series 3900-T. Each perimeter frame and vent was designed with the purposeful intention of creating a hinged door that has the engineering fortitude to accommodate larger openings, e.g. 96" x 120", yet retain clean, hard lines with a flush face.



Hinges:

The Savio hinges on the Series 3900-T can hold as much as 360 lbs. of hang weight. Additionally, these same hinges have three points of adjustment to compensate for natural settling of the building. Another feature is the ease of panel removal from the main frame, which allows the glass panel to be removed until construction is completed.



“Thermal Frame” Technology:

The Series 3900-T thermal barrier is a modern technology called “Strut.” This contemporary process joins two extrusions together with a high resin “strut” instead of pouring and debridging a single extrusion. We selected this newer technology because it offers greater extrusion design flexibility without compromising thermal performance.