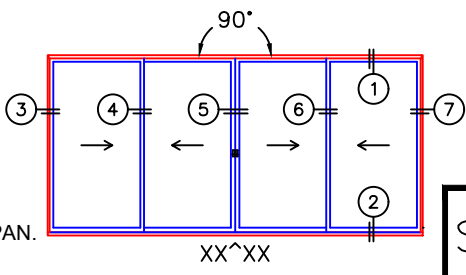
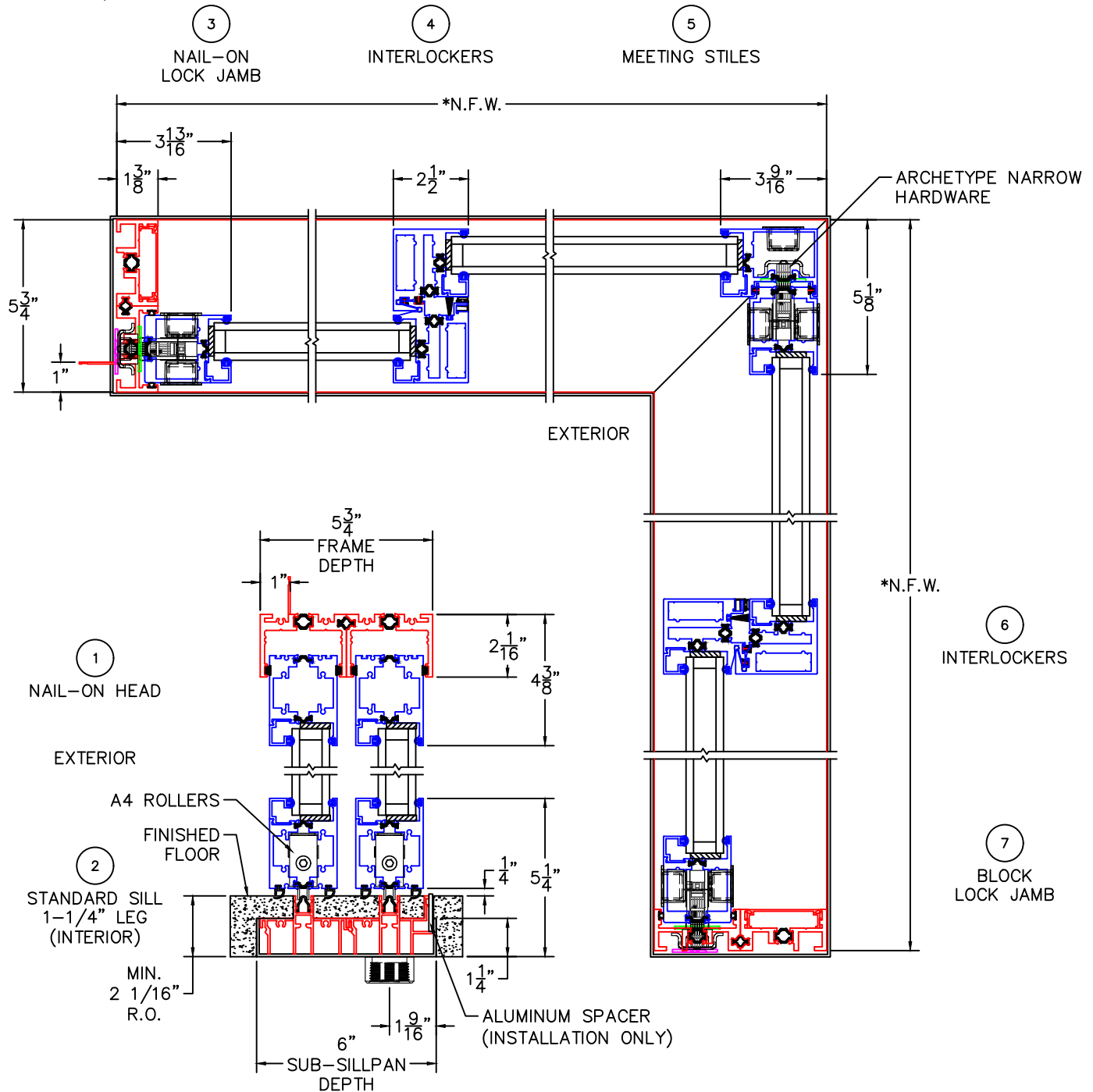


(USE ENGINEER'S SCALE TO SCALE DIMENSIONS IN INCHES)

SCALE: 1/5

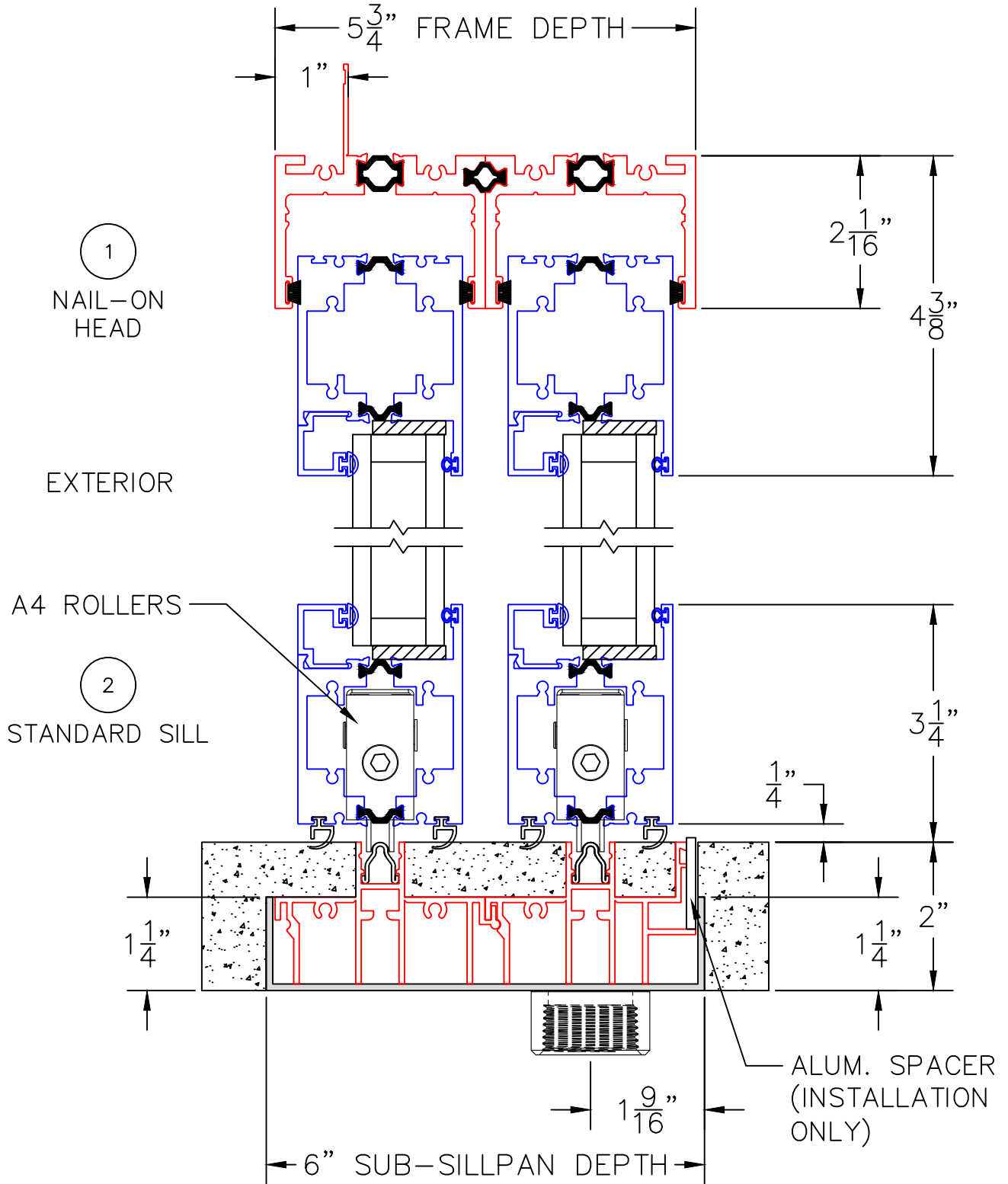
90° XX^XX INSIDE CORNER DOOR DETAILS
 1-1/4" INSULATED GLAZING SHOWN
 (9/16" SINGLE & 1-1/2" I.G. AVAILABLE)



- GLASS PENETRATION = 9/16"
- NET FRAME HEIGHT INCLUDES SUB-SILLPAN.
- *NET FRAME WIDTH DOES NOT INCLUDE SUB-SILLPAN.
- SUB-SILLPAN EXTENDS 1/4" BEYOND EACH JAMB.

0 1 2
(USE RULER TO SCALE DIMENSIONS IN INCHES)
SCALE: 1/2

90° XX^XX INSIDE CORNER DOOR DETAILS
1-1/4" INSULATED GLAZING SHOWN



0 1 2
 (USE RULER TO SCALE DIMENSIONS IN INCHES)
SCALE: 1/2

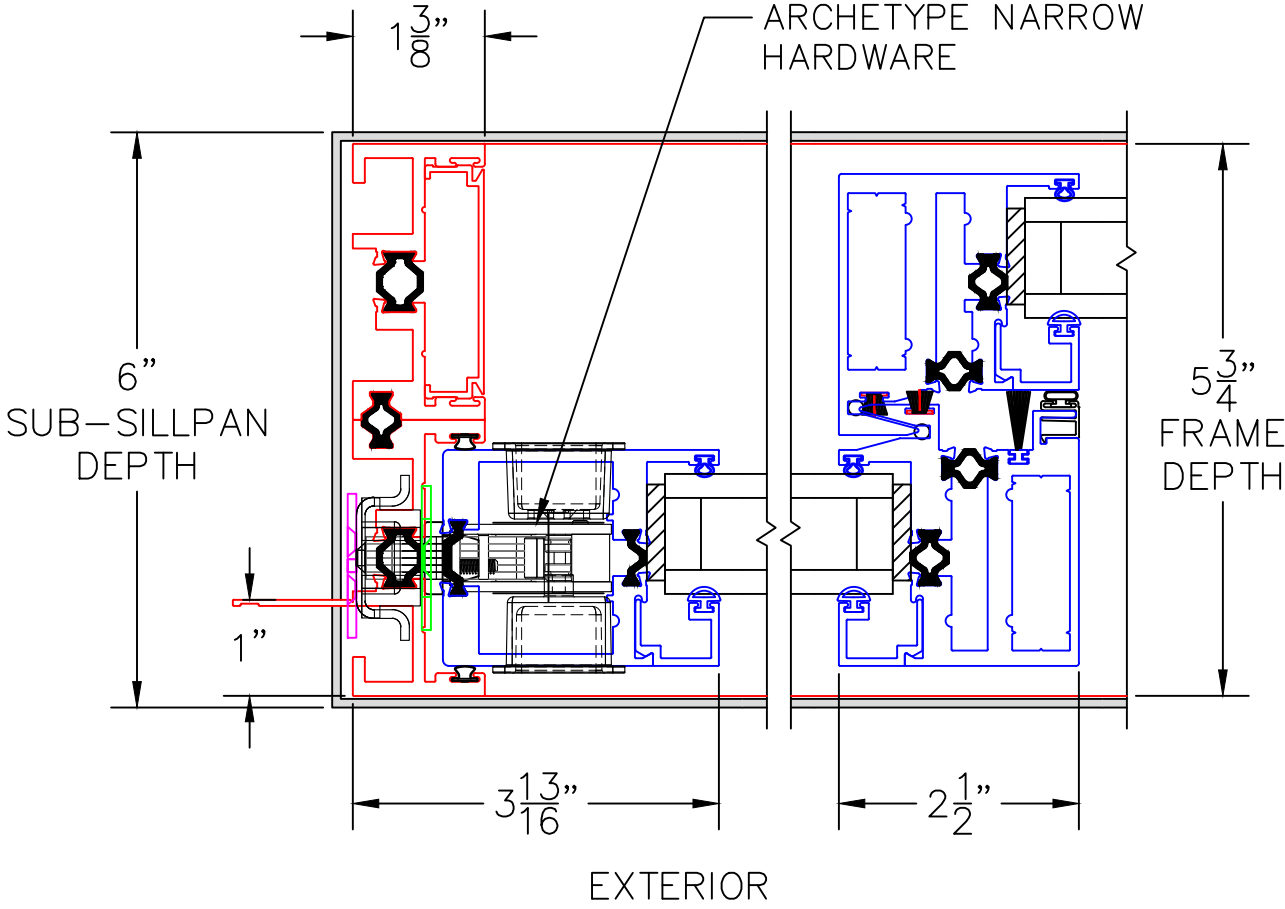
90° XX^XX INSIDE CORNER DOOR DETAILS
 1-1/4" INSULATED GLAZING SHOWN

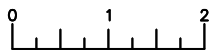
3

NAIL-ON
 LOCK JAMB

4

INTERLOCKERS





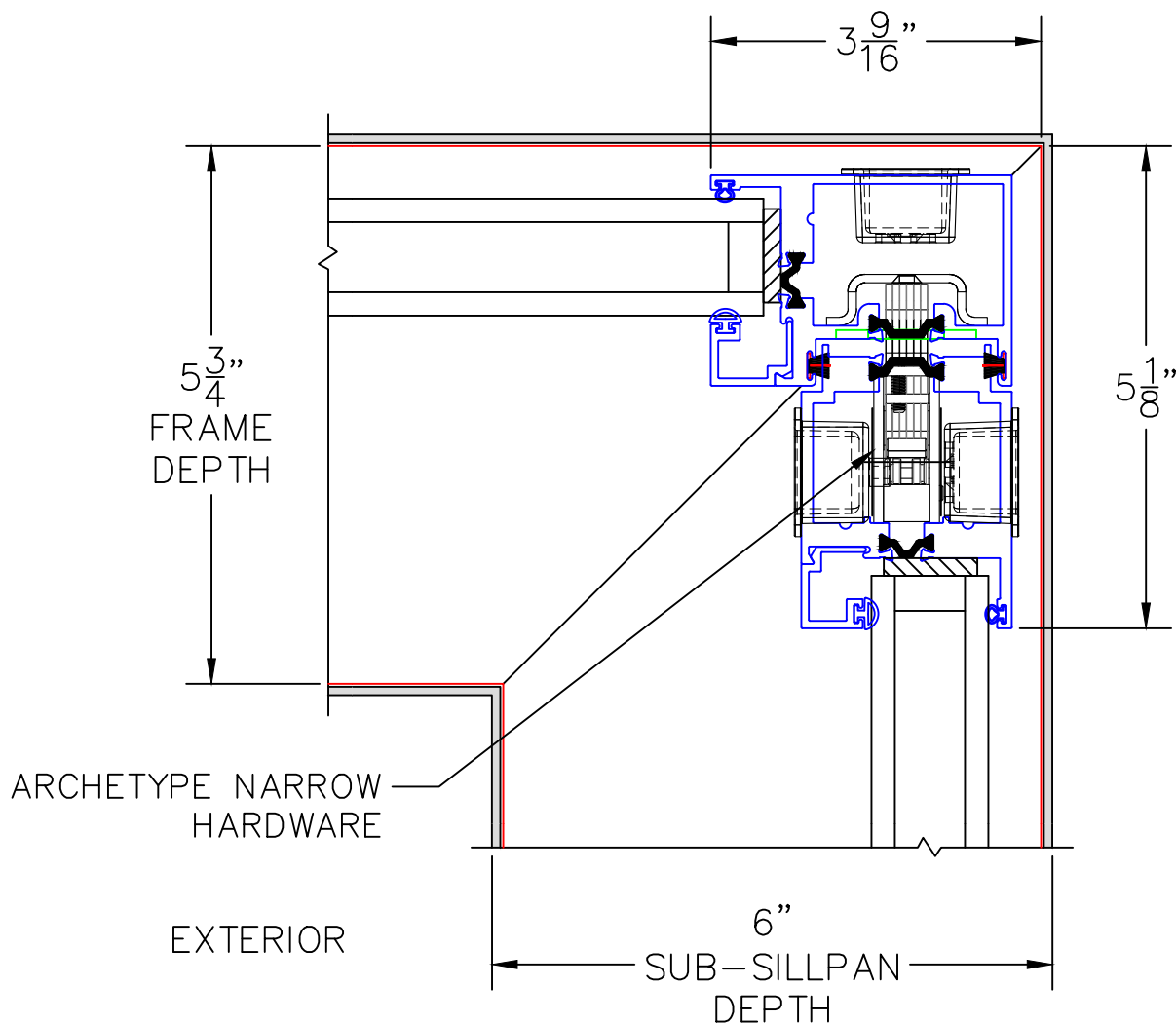
(USE RULER TO SCALE DIMENSIONS IN INCHES)

SCALE: 1/2

90° XX^XX INSIDE CORNER DOOR DETAILS
1-1/4" INSULATED GLAZING SHOWN

5

90° MEETING STILES
(ACTIVE RIGHT SHOWN)



0 1 2
 (USE RULER TO SCALE DIMENSIONS IN INCHES)
 SCALE: 1/2

90° XX^XX INSIDE CORNER DOOR DETAILS
 1-1/4" INSULATED GLAZING SHOWN

