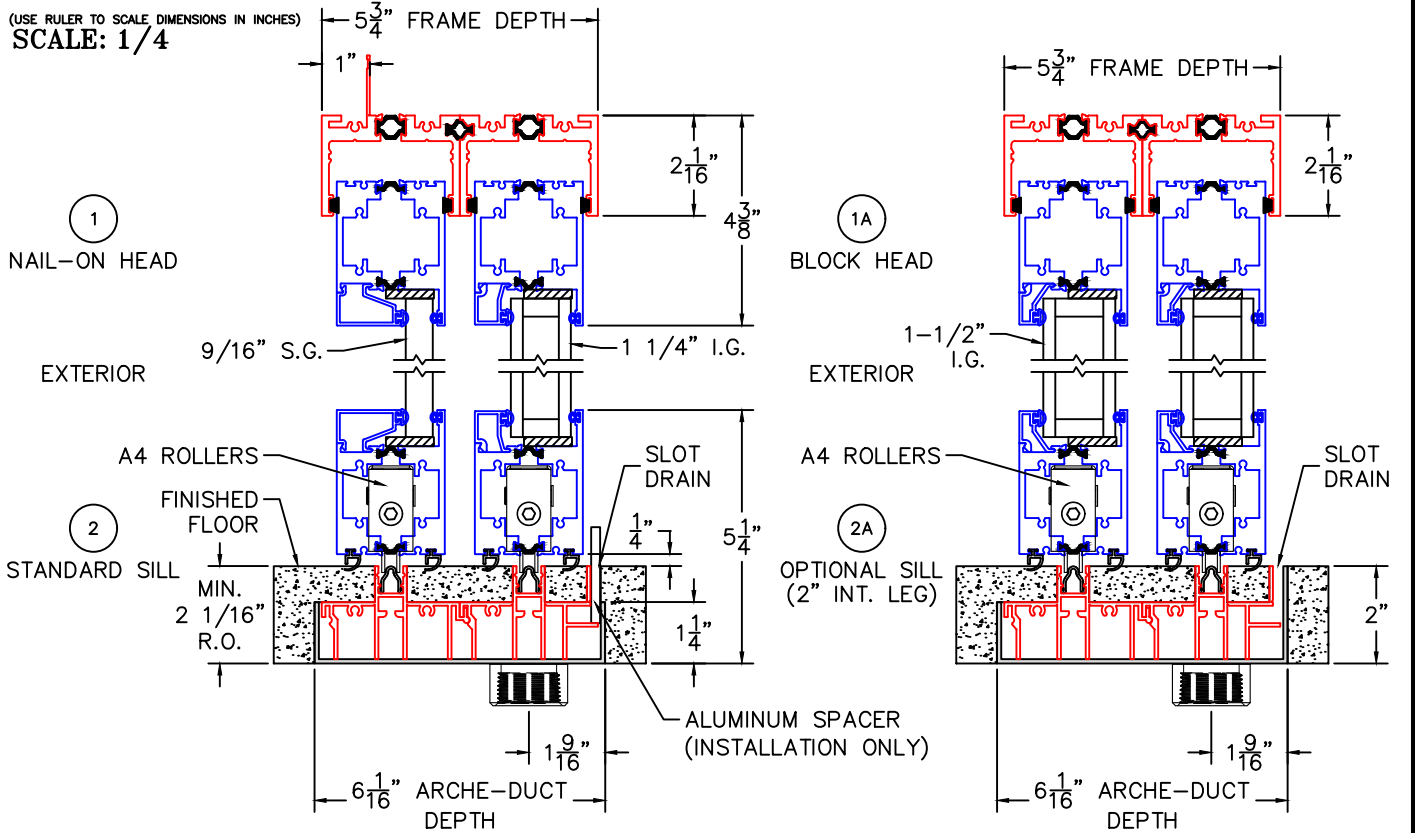
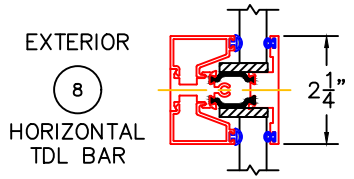
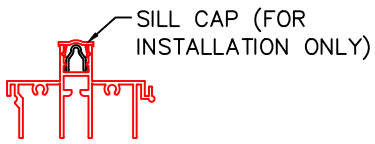
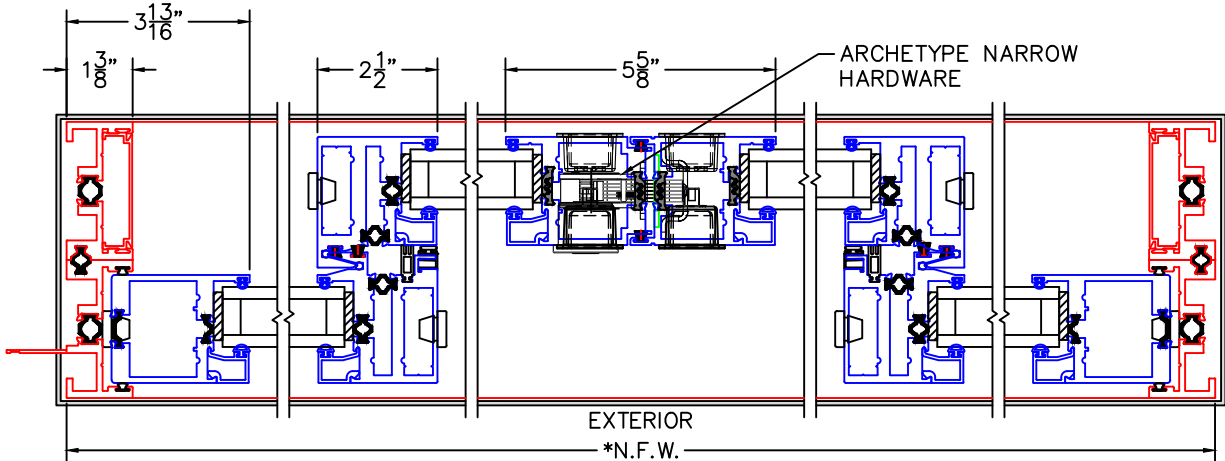


(USE RULER TO SCALE DIMENSIONS IN INCHES)  
**SCALE: 1/4**

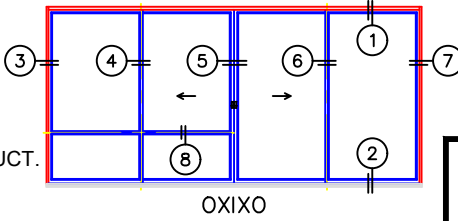
**MULTI-SLIDE DOOR DETAILS**  
OXIXO DOOR SHOWN



- ③  
NAIL-ON  
FIXED JAMB
- ④  
INTERLOCKERS
- ⑤  
MEETING STILES
- ⑥  
INTERLOCKERS
- ⑦  
BLOCK  
FIXED JAMB

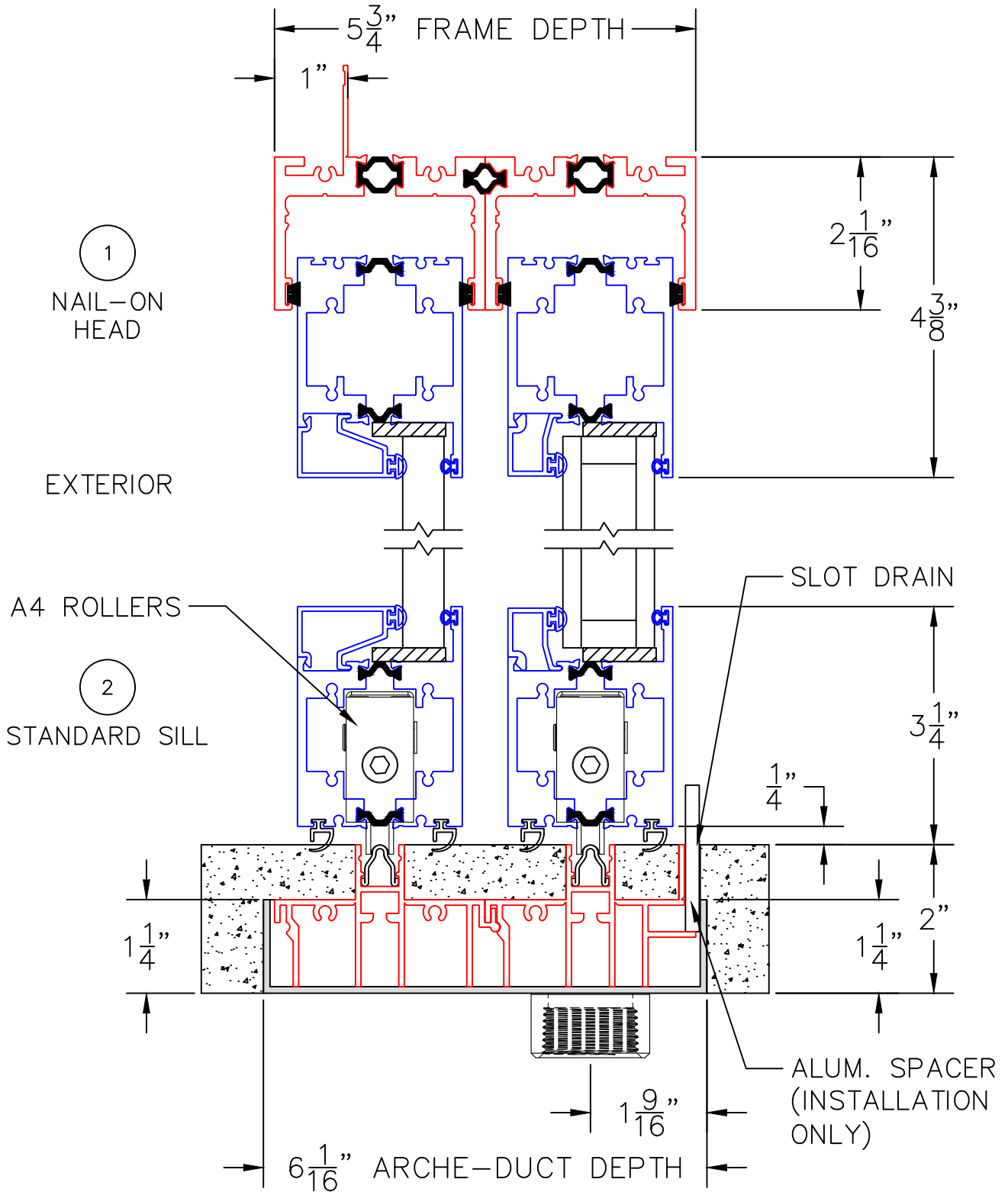


- GLASS PENETRATION = 9/16"
- NET FRAME HEIGHT INCLUDES ARCHE-DUCT.
- \*NET FRAME WIDTH DOES NOT INCLUDE ARCHE-DUCT.
- ARCHE-DUCT EXTENDS 1/4" BEYOND EACH JAMB.
- OPTIONAL SIDE DRAINS AVAILABLE.



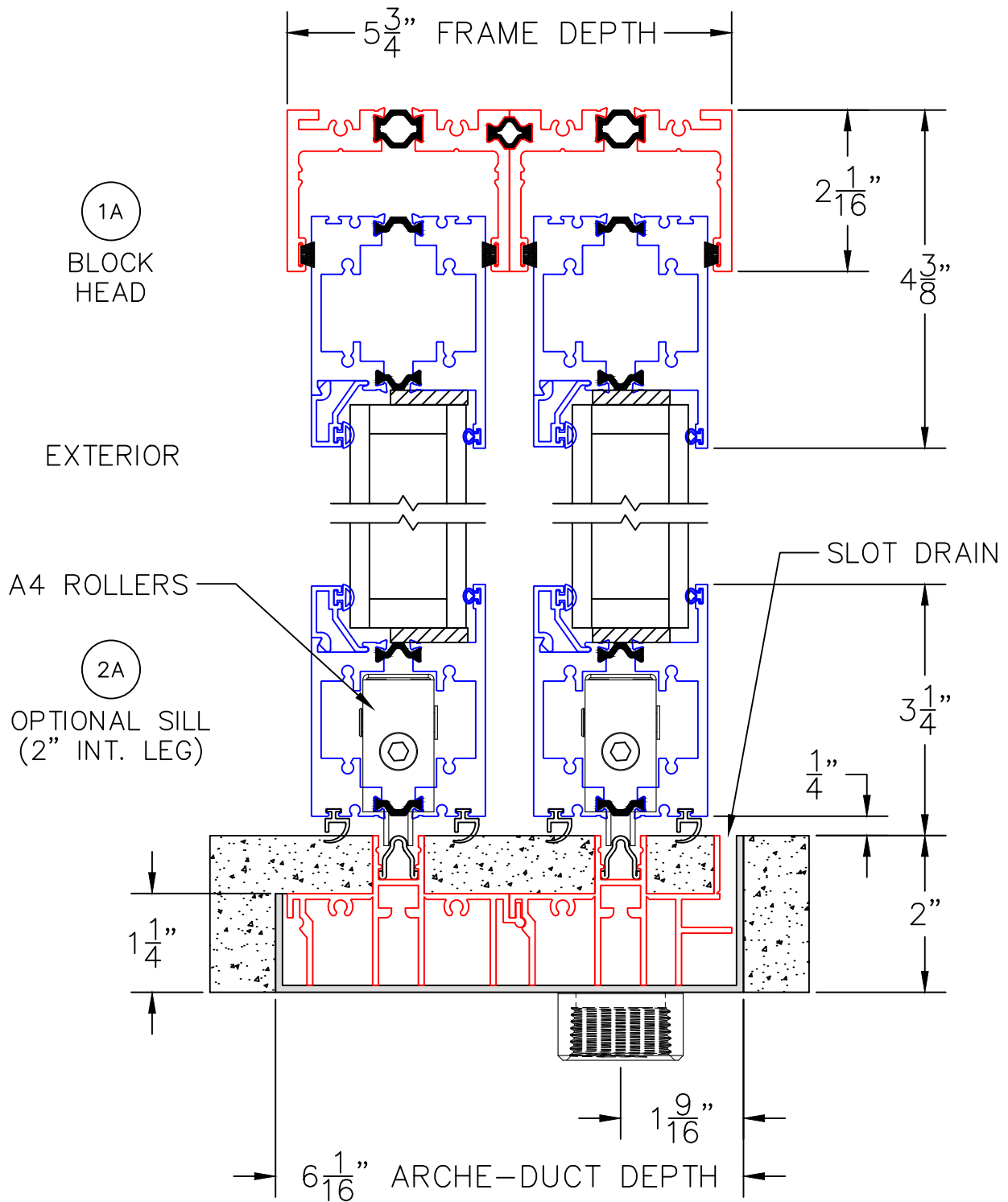
0 1 2  
(USE RULER TO SCALE DIMENSIONS IN INCHES)  
**SCALE: 1/2**

**MULTI-SLIDE DOOR DETAILS**  
OXIXO DOOR SHOWN WITH 9/16" SINGLE  
AND 1-1/4" INSULATED GLAZING



0 1 2  
(USE RULER TO SCALE DIMENSIONS IN INCHES)  
**SCALE: 1/2**

MULTI-SLIDE DOOR DETAILS  
OXIXO DOOR SHOWN WITH  
1-1/2" INSULATED GLAZING



0 1 2  
 (USE RULER TO SCALE DIMENSIONS IN INCHES)  
**SCALE: 1/2**

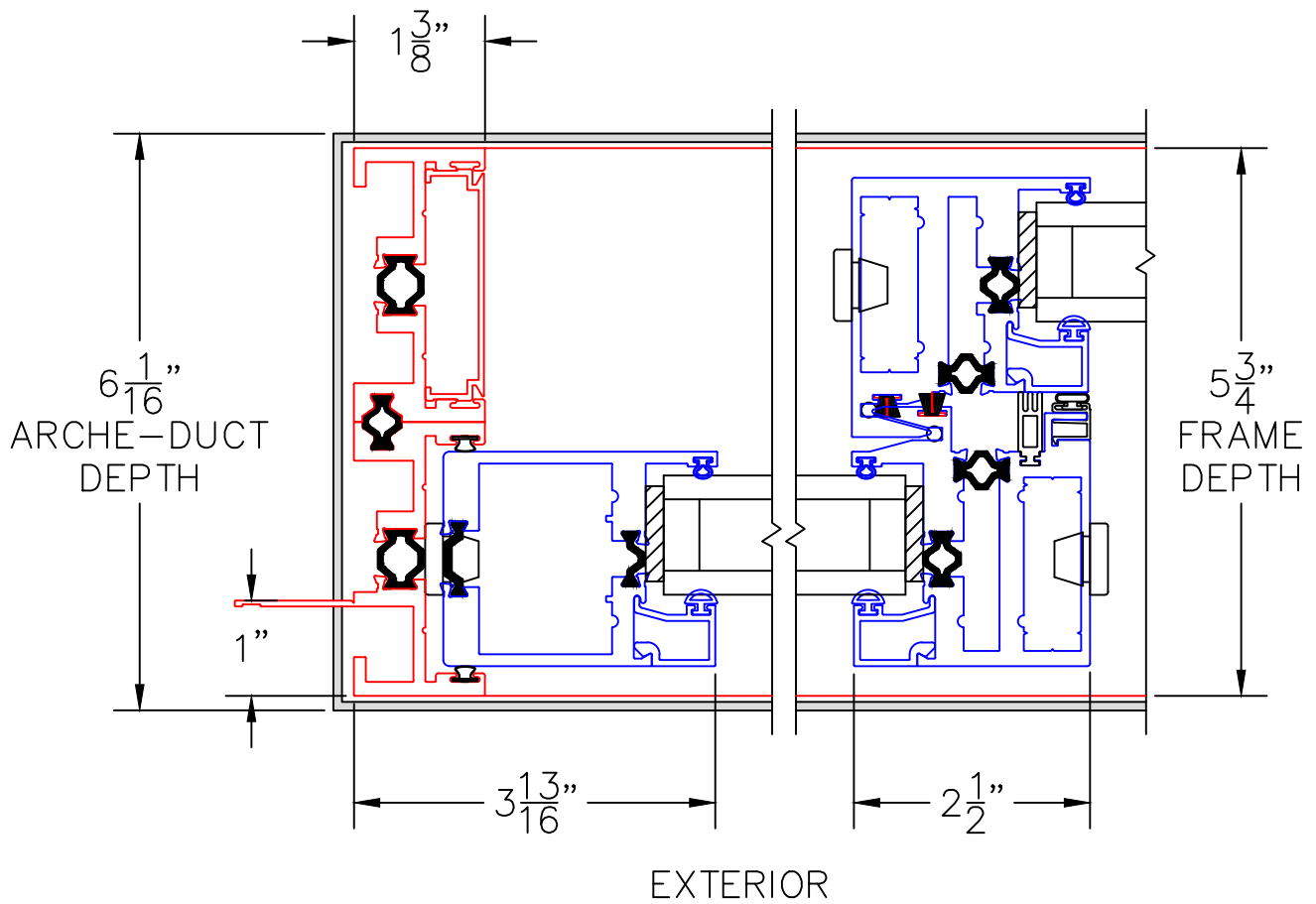
MULTI-SLIDE DOOR DETAILS  
 OXIXO DOOR SHOWN WITH  
 1-1/4" INSULATED GLAZING

3

NAIL-ON  
 FIXED JAMB

4

INTERLOCKERS

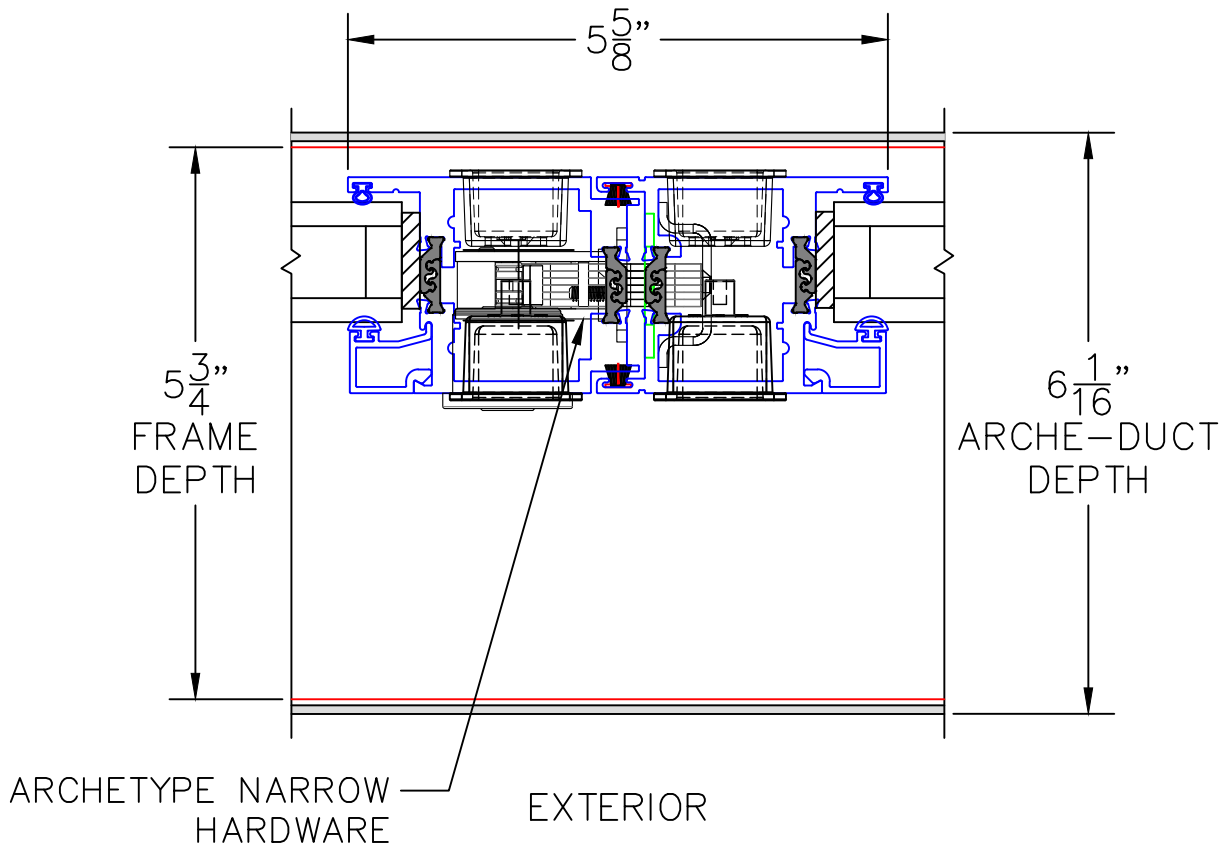


0 1 2  
(USE RULER TO SCALE DIMENSIONS IN INCHES)  
**SCALE: 1/2**

MULTI-SLIDE DOOR DETAILS  
OXIXO DOOR SHOWN WITH  
1-1/4" INSULATED GLAZING

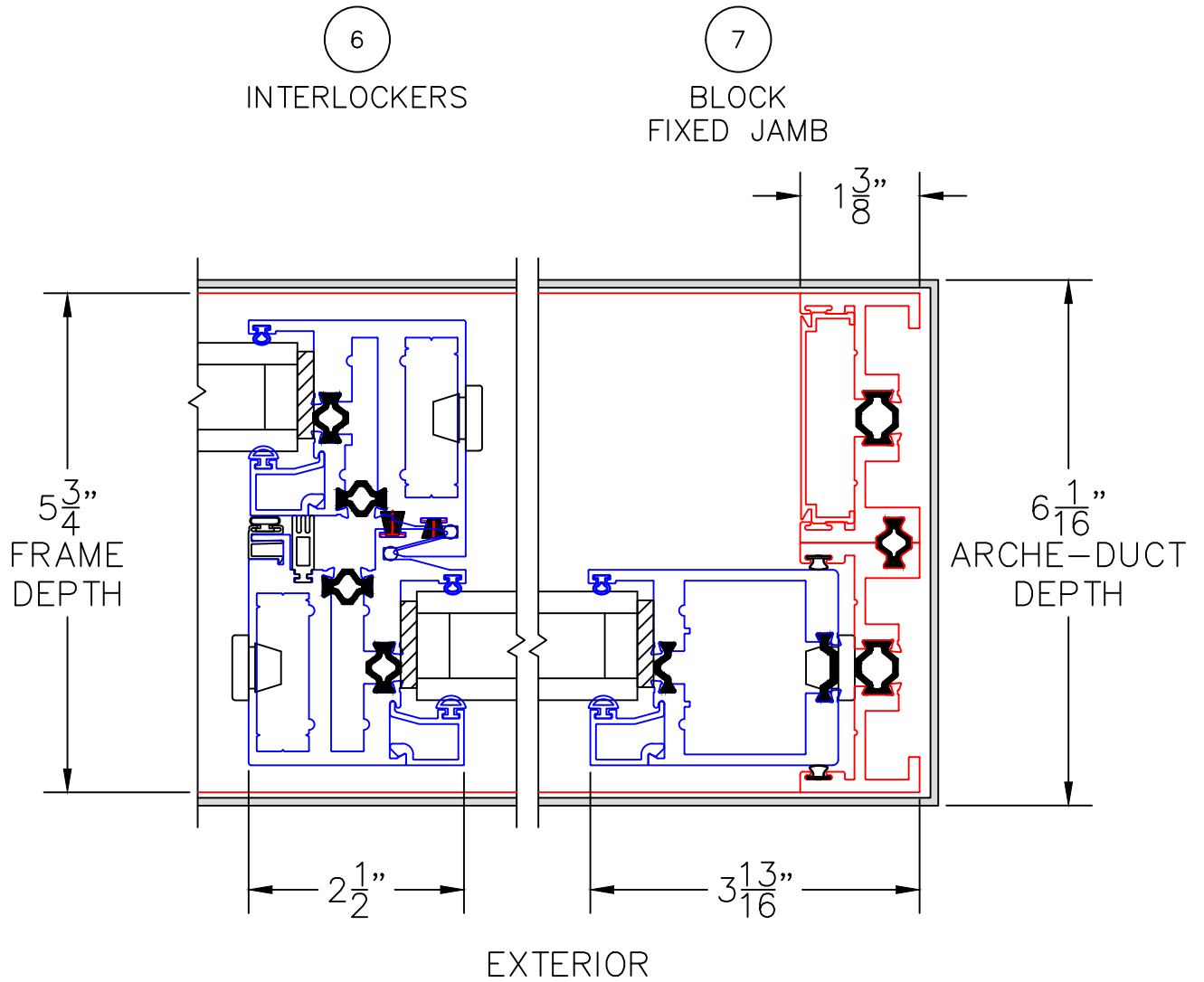
5

MEETING STILES



0 1 2  
 (USE RULER TO SCALE DIMENSIONS IN INCHES)  
**SCALE: 1/2**

MULTI-SLIDE DOOR DETAILS  
 OXIXO DOOR SHOWN WITH  
 1-1/4" INSULATED GLAZING



0 0.5 1  
(USE RULER TO SCALE DIMENSIONS IN INCHES)  
**SCALE: 1/2**

MULTI-SLIDE DOOR DETAILS  
OXIXO DOOR SHOWN WITH  
9/16" SINGLE GLAZING

8

HORIZONTAL  
TDL BAR

