

COMPANY:

QUOTE #:

ITEM #:

DATE:

DRAIN COUPLINGS TO BE WELDED PER OPTION

PLEASE MAKE SELECTIONS:

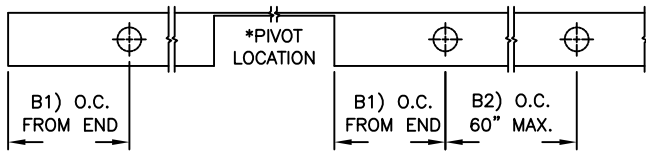
>> 1) DRAIN SPACING

(A) 6" FROM END (OR AS REQUIRED).....
(60" MAX)(O.C.)

(B) OTHER.....

1) FROM END (O.C.):.....

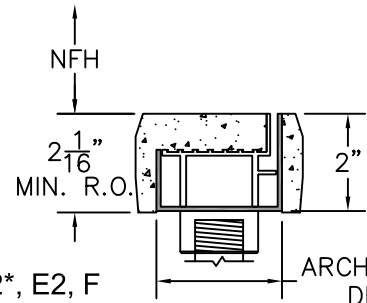
2) SPACING (O.C.):.....



*PIVOT LOCATION: LEFT SHOWN

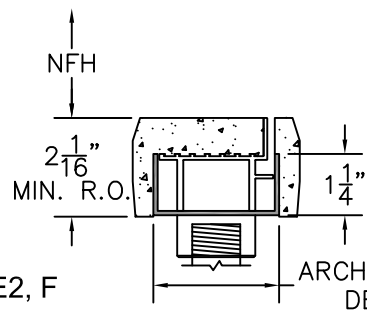
>> ARCHE-DUCT HEIGHT <<

(1) (STANDARD)



2" PAN:
OPT. B, D1, D2*, E2, F

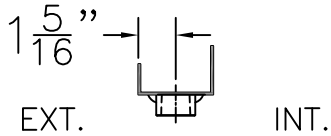
(2) (OPTIONAL)



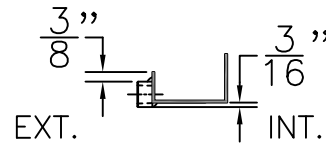
1 1/4" PAN:
OPT. B, D2**, E2, F

>> 2) DRAIN COUPLING LOCATIONS (OPTIONS)

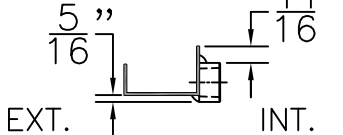
B: (1" BOTTOM DRAIN)



E2: (1/2" SIDE DRAIN-EXT)

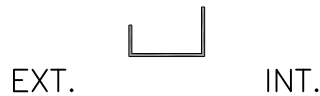


D1: (1" SIDE DRAIN-INT)

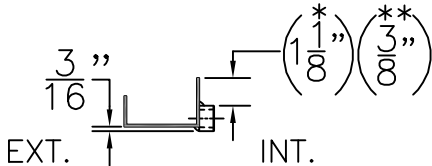


(2" INTERIOR LEG ONLY)

F: (NO DRAINS BY FLEETWOOD)



D2: (1/2" SIDE DRAIN-INT)



CUSTOMER SIGNATURE:

DATE: