

SLIDING DOORS

POCKET SAMPLE SHEET

OPTIONS

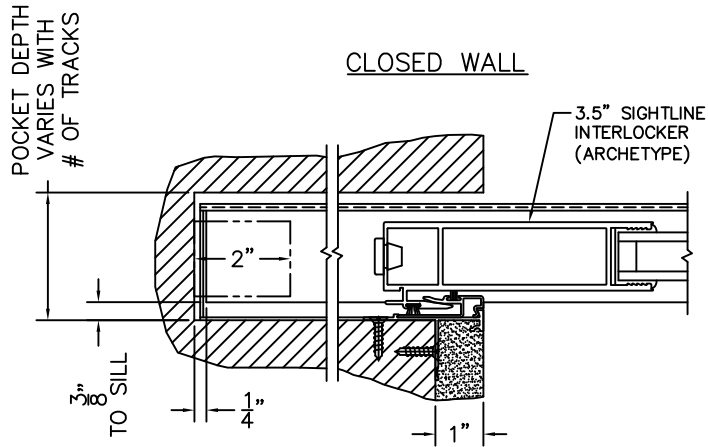
ORDER NO.:

ITEM NO.:

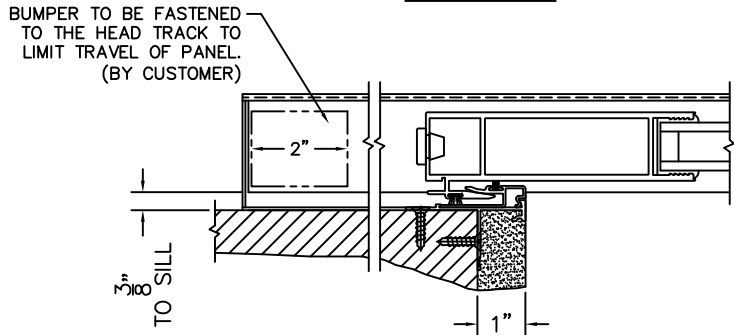
SCALE: 1/4

FOR SELECTION PURPOSES ONLY
(SERIES 3070 & 1070 SHOWN AS NOTED)

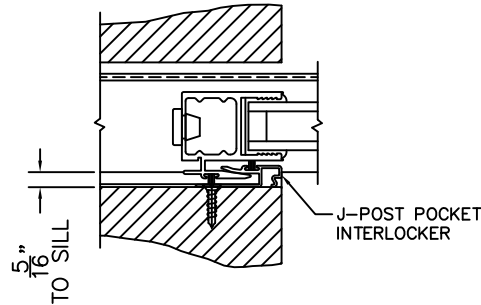
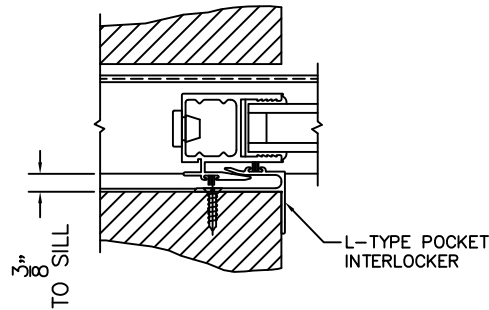
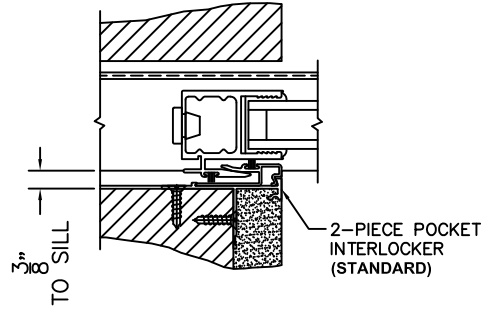
POCKET TYPES (SERIES 3070)



OPEN WALL

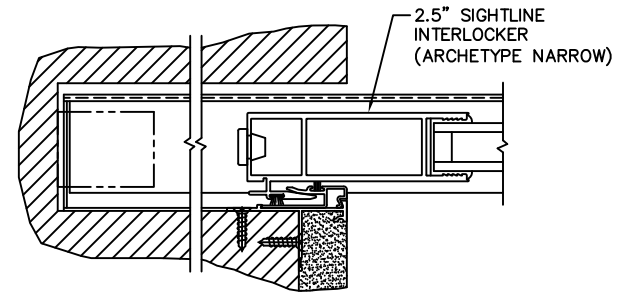
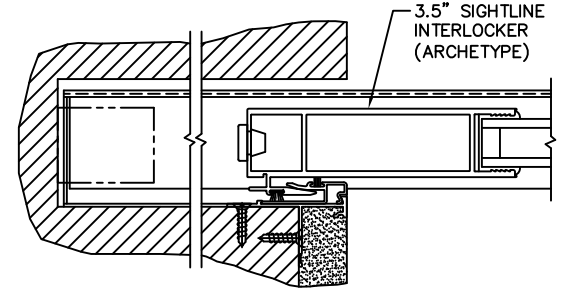


POCKET INTERLOCKERS (SERIES 3070 & 1070) (NO SIGHTLINE EXTENDER SHOWN)

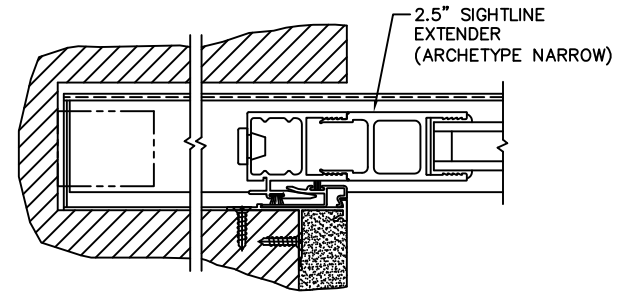


POCKET SIGHTLINE EXTENDERS (SERIES AS NOTED)

SERIES 3070



SERIES 1070



*CAUTION: WHEN CONSTRUCTING POCKET NOTE THAT DAYLIGHT WIDTH DOES NOT INCLUDE 1" SET BACK FOR POST INTERLOCKER.