

COMPANY:

QUOTE #:

ITEM #:

DATE:

DRAIN COUPLINGS TO BE WELDED PER OPTION

PLEASE MAKE SELECTIONS:

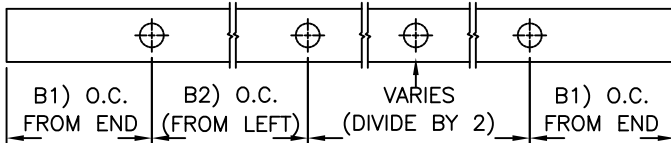
>> 1) DRAIN SPACING

(A) 8" FROM END; 60" MAX (O.C.).....

(B) OTHER.....

1) FROM END (O.C.):.....

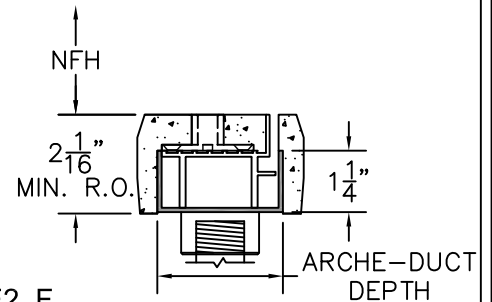
2) SPACING (O.C.):.....



>> ARCHE-DUCT HEIGHT <<

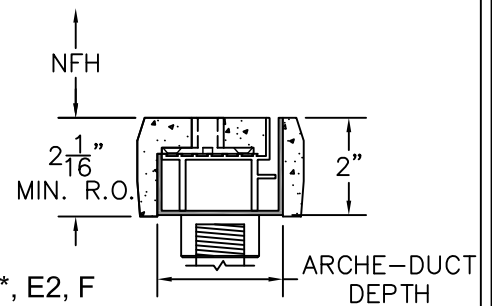
(1) (STANDARD)

.....
1 1/4" PAN:
OPT. B, D2**, E2, F



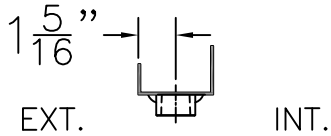
(2) (OPTIONAL)

.....
2" PAN:
OPT. B, D1, D2*, E2, F

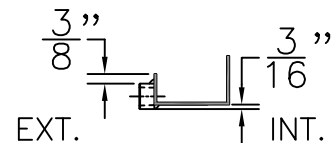


>> 2) DRAIN COUPLING LOCATIONS (OPTIONS)

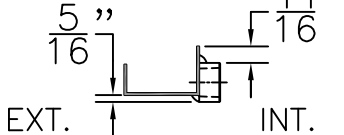
B: (1" BOTTOM DRAIN)



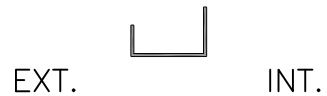
E2: (1/2" SIDE DRAIN-EXT)



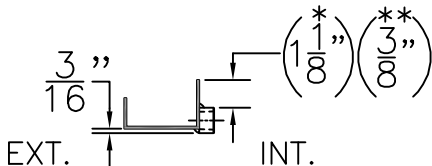
D1: (1" SIDE DRAIN-INT)



F: (NO DRAINS BY FLEETWOOD)



D2: (1/2" SIDE DRAIN-INT)



CUSTOMER SIGNATURE:

DATE: