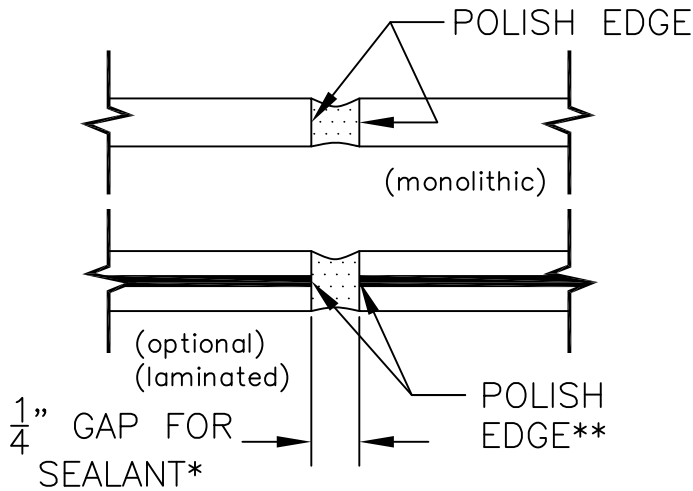


SCALE: NONE

SINGLE GLAZE

**LOW E (soft coat) GLASS WILL HAVE A 1/2" EDGE DELETION OF COATING
SELECT AN OPTION

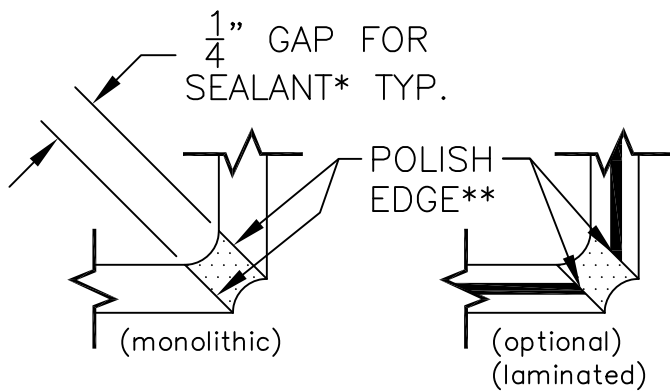
IN-LINE



① SINGLE GLAZE

MITERED

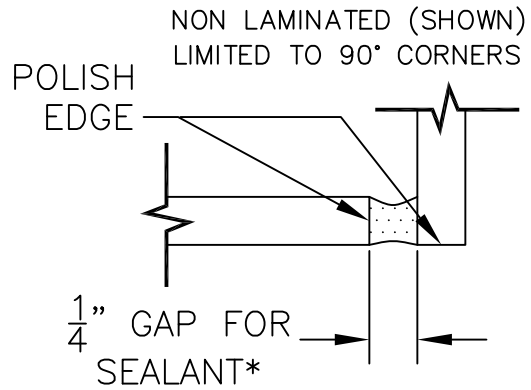
MITERED GLASS EDGES NOT ALLOWED ON SOFT COAT LOW-E GLASS; HOWEVER, IT IS AVAILABLE ON HARD COAT LOW-E GLASS.



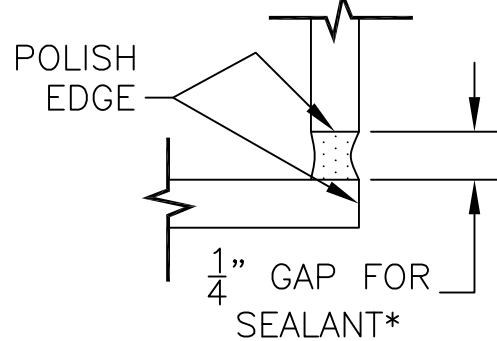
② CORNER SINGLE GLAZED (90° STANDARD)
CUSTOM ANGLES REQUIRE DRAWING FROM DEALER

*SEALANT NOT PROVIDED BY FLEETWOOD.
**WHEN LOW-E (soft coat) IS ORDERED; SOFT COAT ON SURFACE 3 AND POLISHED EDGE OF SURFACE 1 ONLY.

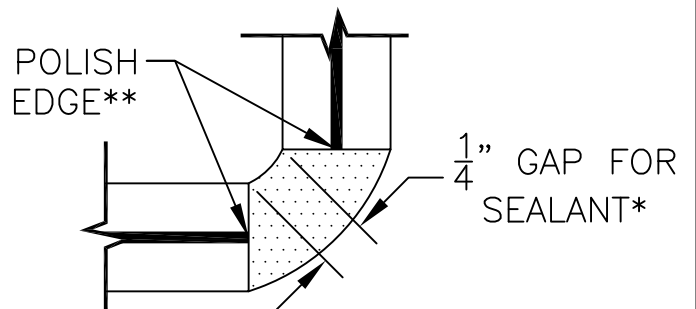
OFFSET



③ 90° CORNER SINGLE GLAZED
LEFT HANDED



④ 90° CORNER SINGLE GLAZED
RIGHT HANDED



⑤ LAMINATED (EQUAL OFFSET)
(90° STANDARD)
CUSTOM ANGLES REQUIRE DRAWING FROM DEALER

REQUIRED INFORMATION

Customer Signature: _____ Date: _____

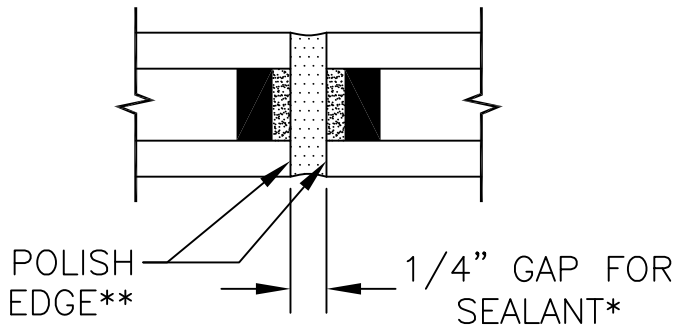
Order: _____ Item: _____ Option:

SCALE: NONE

DUAL GLAZE

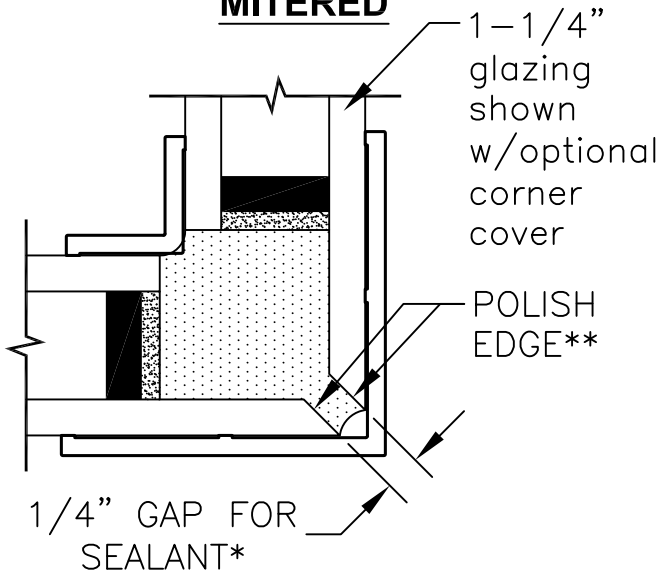
LOW E (soft coat) GLASS WILL HAVE AN EDGE DELETION OF COATING
SELECT AN OPTION

IN-LINE



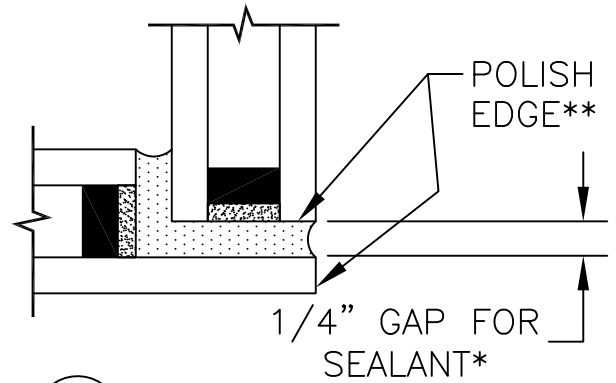
① INSULATED GLAZING

MITERED

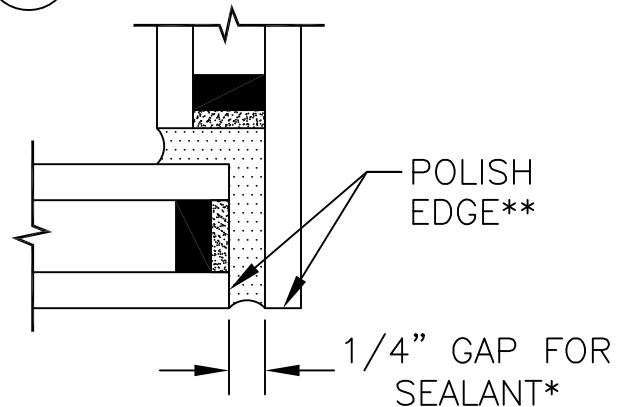


② MITERED CORNER (90° Standard)
CUSTOM ANGLES REQUIRE DRAWING FROM DEALER

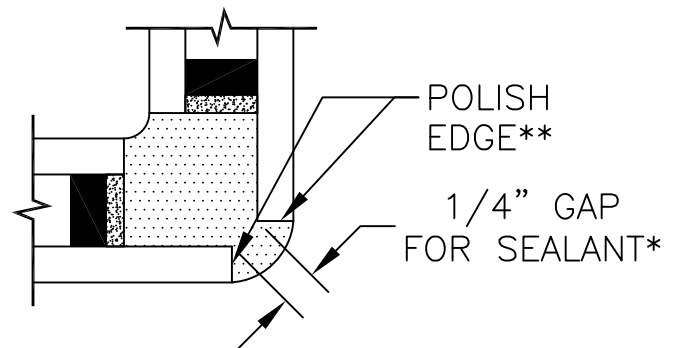
OFFSET



③ 90° CORNER LEFT HANDED



④ 90° CORNER RIGHT HANDED



⑤ EQUAL CORNER OFFSET (90° STANDARD)
CUSTOM ANGLES REQUIRE DRAWING FROM DEALER

*SEALANT NOT PROVIDED BY FLEETWOOD.

**WHEN LOW-E (soft coat) IS ORDERED; SOFT COAT ON SURFACE 3 AND POLISHED EDGE OF SURFACE 1 ONLY.

REQUIRED INFORMATION

Customer Signature: _____ Date: _____

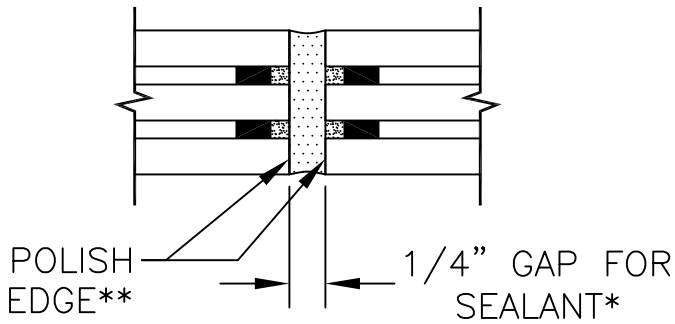
Order: _____ Item: _____ Option:

SCALE: NONE

TRIPLE GLAZE

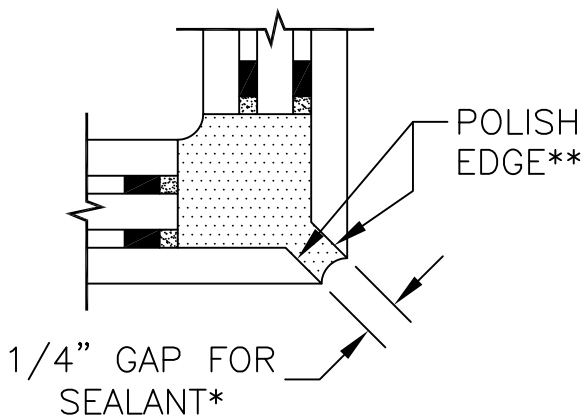
LOW E (soft coat) GLASS WILL HAVE AN EDGE DELETION OF COATING
SELECT AN OPTION

IN-LINE



① INSULATED GLAZING

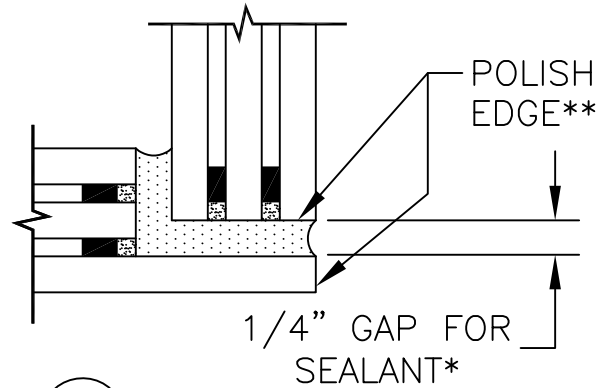
MITERED



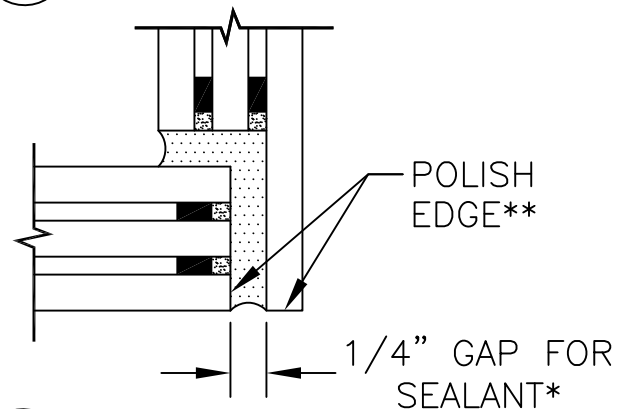
② MITERED CORNER (90° Standard)
CUSTOM ANGLES REQUIRE
DRAWING FROM DEALER

*SEALANT NOT PROVIDED BY FLEETWOOD.
**WHEN LOW-E (soft coat) IS ORDERED; SOFT
COAT ON SURFACE 3 AND POLISHED EDGE OF
SURFACE 1 ONLY.

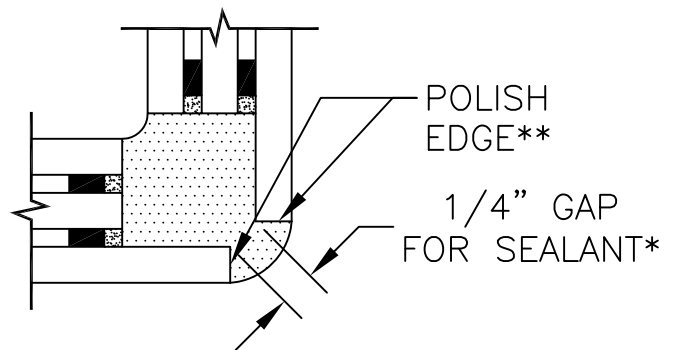
OFFSET



③ 90° CORNER LEFT HANDED



④ 90° CORNER RIGHT HANDED



⑤ EQUAL CORNER OFFSET (90° STANDARD)
CUSTOM ANGLES REQUIRE
DRAWING FROM DEALER

REQUIRED INFORMATION

Customer Signature: _____ Date: _____

Order: _____ Item: _____ Option: