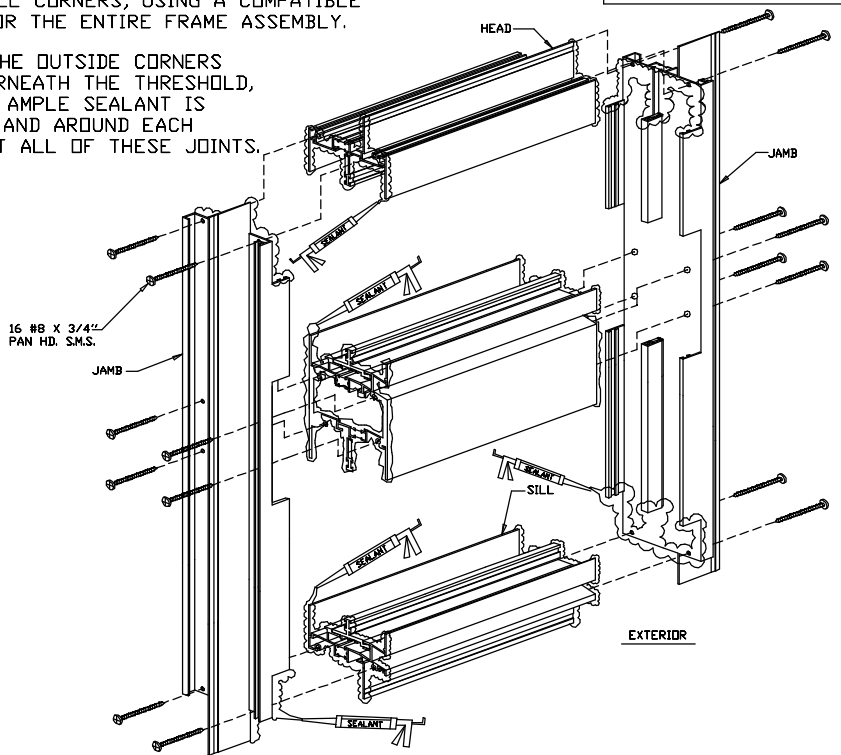


FLEETWOOD WINDOWS & DOORS

NOTE: FOR CONFIGURATIONS REGARDING SLIDING PANELS, REFER TO THE SLIDING WINDOW INSTALLATION INSTRUCTIONS.

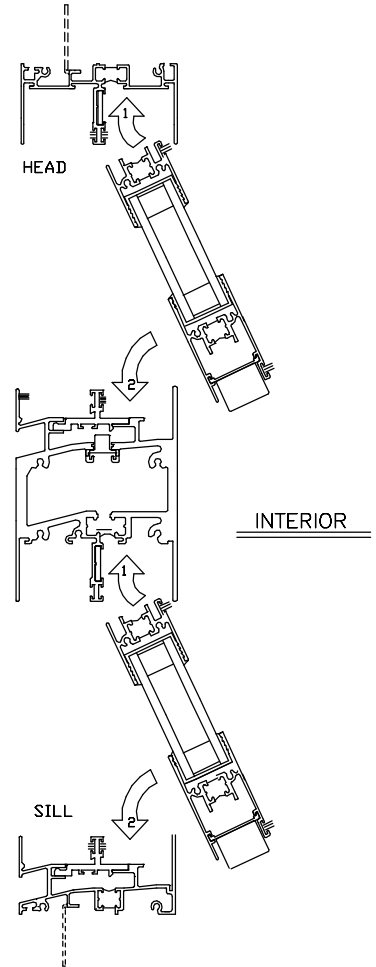
1. FRAME ASSEMBLY

1. COMPLETELY COVER THE CONTOURS AT BOTH END'S OF THE HEAD, SILL AND JAMB'S WITH A COMPATIBLE SEALANT, MAKE SURE THAT EACH END OF THE STACK BAR IS CAULKED PROPERLY AS SHOWN.
2. ASSEMBLE THE FRAME WITH 8 #8 X 3/4" PAN HEAD STAINLESS STEEL SCREWS.
3. SEAL ALL CORNERS, USING A COMPATIBLE SEALANT FOR THE ENTIRE FRAME ASSEMBLY.
4. SEAL THE OUTSIDE CORNERS FROM UNDERNEATH THE THRESHOLD, MAKE SURE AMPLE SEALANT IS FORCED IN AND AROUND EACH CONTOUR AT ALL OF THESE JOINTS.

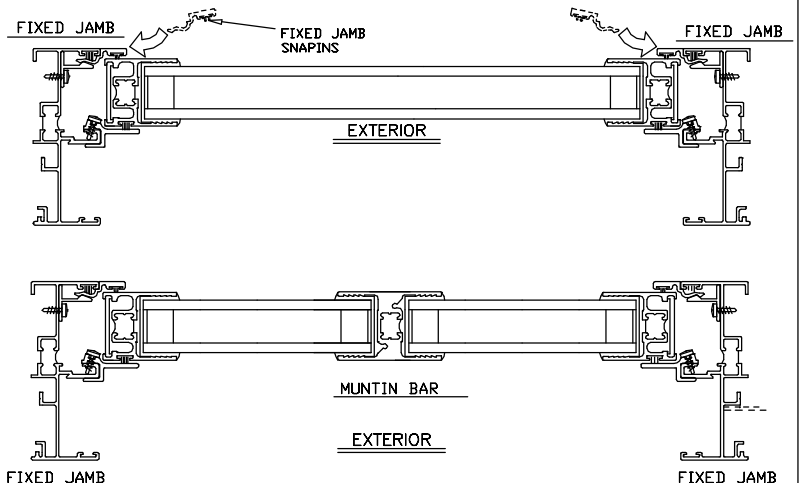
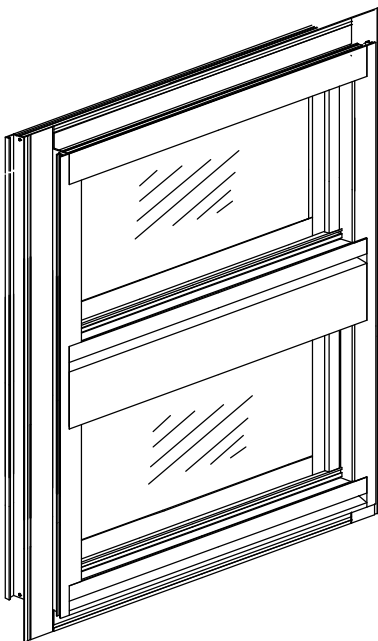


STACKED WINDOWS, GENERIC (ASPEN 530 AS SHOWN)

2. FROM THE INSIDE OF THE FRAME, INSERT BOTH OF THE 'O' PANELS INTO THE INSIDE CHANNEL OF THE HEAD, PUSH THE PANEL UP INTO THE HEAD AND SWING THE BOTTOM OF THE PANEL IN AND DOWN INTO THE INSIDE CHANNEL OF THE SILL, AS SHOWN.



3. SECURE BOTH THE SINGLE FIXED 'O' PANEL AND THE 'OO' BY INSERTING THE SNAPINS, AS SHOWN.



STACKED WINDOWS

www.fleetwoodusa.com

STKDWNDW.dwg